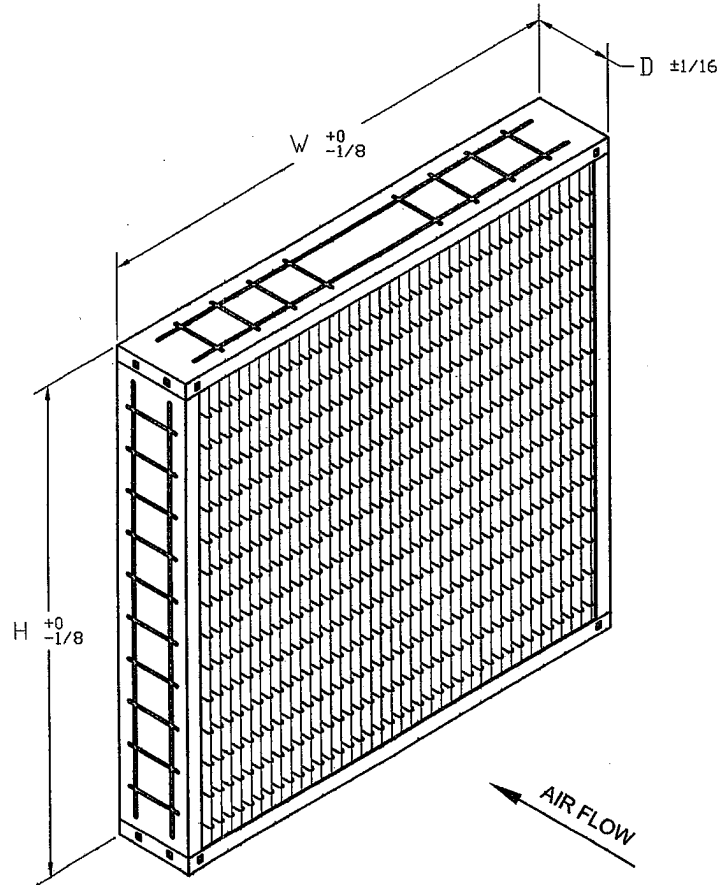


Model Number	Nominal Size (Inches) H x W x D	Actual Size (Inches) H x W x D	Rated Air Flow (CFM)	Initial Resistance (In. W.G.)	Media Area (Square Feet)
DR95 - 4404	24 x 24 x 4	23-3/8 x 23-3/8 x 3-3/4	2000	0.46	49.1
DR95 - 0504	20 x 25 x 4	19-3/8 x 24-3/8 x 3-3/4	1750	0.46	42.7
DR95 - 0404	20 x 24 x 4	19-3/8 x 23-3/8 x 3-3/4	1650	0.46	40.9
DR95 - 0004	20 x 20 x 4	19-3/8 x 19-3/8 x 3-3/4	1400	0.46	33.9
DR95 - 6504	16 x 25 x 4	15-3/8 x 24-3/8 x 3-3/4	1400	0.46	34.1
DR95 - 6004	16 x 20 x 4	15-3/8 x 19-3/8 x 3-3/4	1100	0.46	27.1
DR95 - 2404	12 x 24 x 4	11-3/8 x 23-3/8 x 3-3/4	1000	0.46	23.4

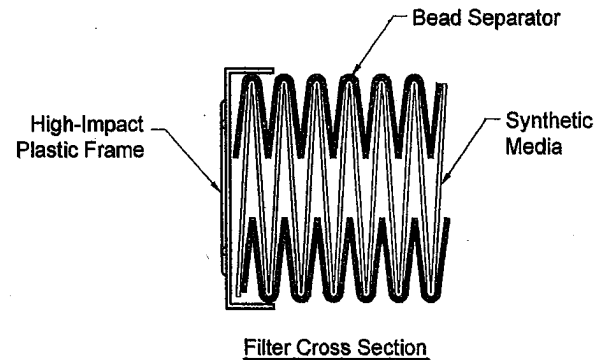



**STANDARD CONSTRUCTION**

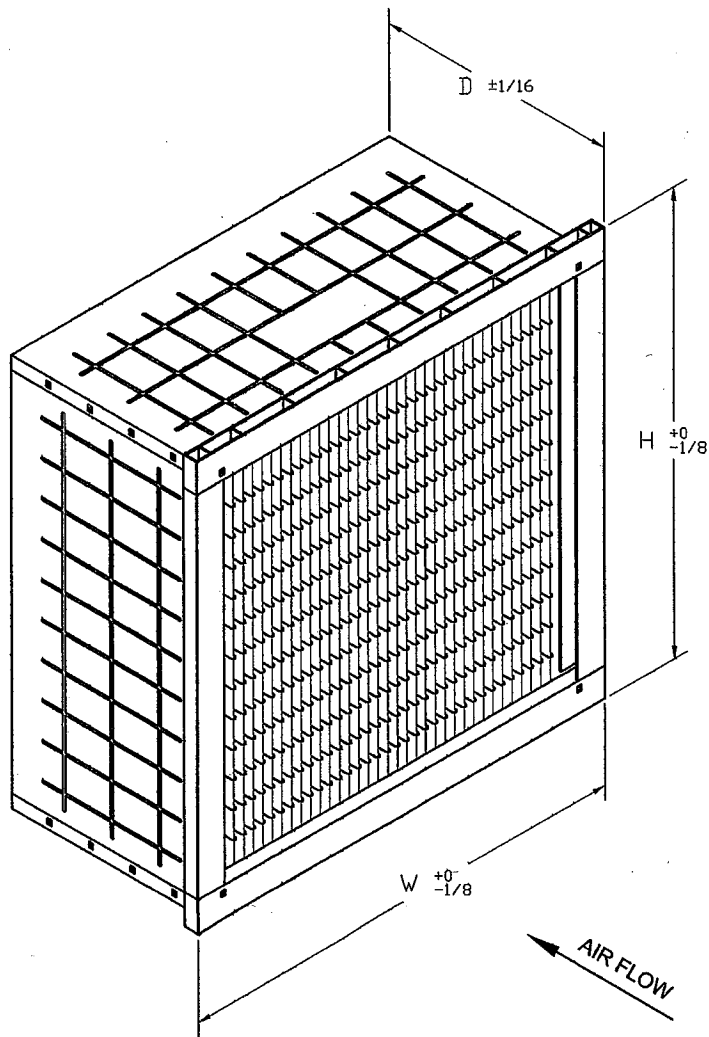
- 100% Synthetic Media
  - Bead Separator Packs
  - High-Impact Plastic Frame Panels
  - Foamed Hot Melt Sealant
  - Reverse Air Flow Option Available
- Noted by 'R' in Model Number (Ex: DR95-4404-R)

**NOTES**

- MERV 14 ASHRAE 52.2-1999
- Final Resistance: 1.5" W.G.
- Rated Velocity - 500 FPM
- Maximum Operating Temperature: 140 deg. F
- Special Sizes Not Available



 <p>P.O. Box 32578 Louisville, KY 40232 P: 866-925-2247 F: 502-961-0930</p>	<p><b>TOLERANCES</b> UNLESS OTHERWISE SPECIFIED</p> <p>FRACTIONAL - DECIMAL - ANGLES -</p>	DRAWING NAME <b>4" DOMINATOR</b>			
		APPROVED BY <i>K. Olson</i>	SPECIFICATION NO. MKT-P-00527	PAGE 1 OF 1	
<p>CONTACT FACTORY TO VERIFY REVISION LEVEL</p>		SCALE NONE	DWG. SIZE A	REVISION NEW	REVISION DATE 2-13-07
		<p>CONFIDENTIAL - DO NOT COPY. THIS MATERIAL IS TRADE SECRET AND PROPRIETARY BEING EXCLUSIVELY OWNED BY CLD AIR. THE EXPRESSION OF THE INFORMATION CONTAINED HEREIN IS PROTECTED UNDER FEDERAL COPYRIGHT LAWS AND ALL COPYING IS PROHIBITED AND MAY BE SUBJECT TO CRIMINAL PENALTIES.</p>			
		ALL DIMENSIONS IN INCHES			



Model Number	Nominal Size (Inches) H x W x D	Actual Size (Inches) H x W x D	Rated Air Flow (CFM)	Initial Resistance (In. W.G.)	Media Area (Square Feet)
DR95 - 4412	24 x 24 x 12	23-3/8 x 23-3/8 x 11-1/2	2000	0.35	101.5
DR95 - 0412	20 x 24 x 12	19-3/8 x 23-3/8 x 11-1/2	1650	0.35	83.0
DR95 - 0012	20 x 20 x 12	19-3/8 x 19-3/8 x 11-1/2	1400	0.35	67.7
DR95 - 2412	12 x 24 x 12	11-3/8 x 23-3/8 x 11-1/2	1000	0.35	46.1

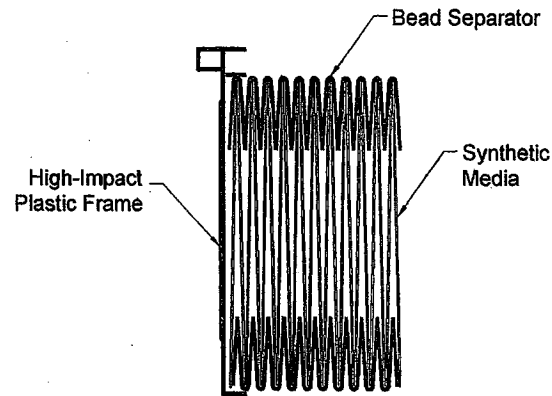
**STANDARD CONSTRUCTION**

1. 100% Synthetic Media
2. Bead Separator Packs
3. High-Impact Plastic Frame Panels
4. Foamed Hot Melt Sealant
5. Reverse Air Flow Option Available


Noted by 'R' in Model Number (Ex: DR95-4412-R)

**NOTES**

1. MERV 15 ASHRAE 52.2-1999
2. Final Resistance: 1.5" W.G.
3. Rated Velocity - 500 FPM
4. Maximum Operating Temperature: 140 deg. F
5. Special Sizes Not Available



Filter Cross Section

 <b>Purolator</b> <small>a CLARCOR company</small>	P.O. Box 32578 Louisville, KY 40232 P: 866-925-2247 F: 502-961-0930	TOLERANCES UNLESS OTHERWISE SPECIFIED		DRAWING NAME <b>12" DOMINATOR</b>	
	CONTACT FACTORY TO VERIFY REVISION LEVEL	FRACTIONAL    - DECIMAL        - ANGLES         -	APPROVED BY <i>[Signature]</i> SCALE            NONE	SPECIFICATION NO. <b>MKT-P-00528</b>	REVISION <b>NEW</b>
ALL DIMENSIONS IN INCHES		CONFIDENTIAL - DO NOT COPY. THIS MATERIAL IS TRADE SECRET AND PROPRIETARY BEING EXCLUSIVELY OWNED BY CLC AIR. THE EXPRESSION OF THE INFORMATION CONTAINED HEREIN IS PROTECTED UNDER FEDERAL COPYRIGHT LAWS AND ALL COPYING IS PROHIBITED AND MAY BE SUBJECT TO CRIMINAL PENALTIES.			