

**S P**

Style  
SP= Serva-Pak

**S**

Media Type  
Synthetic

Efficiency:  
50 - 55% = 50  
60 - 65% = 65  
80 - 85% = 85  
90 - 95% = 95

# Of Pockets  
See Chart

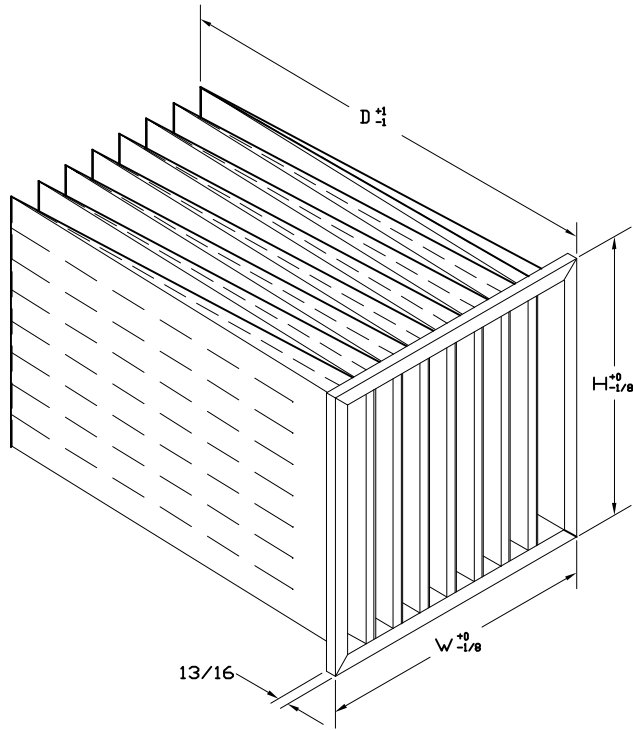
Header:  
Standard = Blank  
Cambridge = C  
Exact Header = E  
Class 1 = I

Type:  
Standard = Blank  
Gasketing locations =  
With Loops = L

**X X**

Size (WxHxD)  
Example 24x24x30

U = Upstream  
D = Downstream  
UD = Both Sides  
SA = Side Access  
P = Perimeter



SIZE W X H # OF POCKETS		
24 X 24	23-3/8 x 23-3/8	06 - 12
12 X 24	11-3/8 x 23-3/8	03 - 05
24 X 12	23-3/8 x 11-3/8	05 - 12
20 X 24	19-3/8 x 23-3/8	05 - 09
24 X 20	23-3/8 x 19-3/8	05 - 12
20 X 20	19-3/8 x 19-3/8	04 - 09
16 X 20	15-3/8 x 19-3/8	03 - 07
20 X 16	19-3/8 x 15-3/8	04 - 09
16 X 25	15-3/8 x 24-3/8	06 - 07
25 X 16	24-3/8 x 15-3/8	05 - 12
20 X 25	19-3/8 x 24-3/8	06 - 09
25 X 20	24-3/8 x 19-3/8	05 - 12

- STANDARD CONSTRUCTION**
1. High Efficiency, Meltblown Synthetic Media
  2. Sonic weld Pocket Construction
  3. Sonic weld Pocket Separators
  4. Galvanized Steel Header
  5. Galvanized Steel Pocket Retainers.

**EXAMPLE MODEL: SP95S08 24x24x30**

**NOTES**

1. Four Efficiencies Available (Media Color in Parentheses)  
90-95% ASHRAE 52.1-1992, MERV 14 ASHRAE 52.2-1999 (Yellow)  
80-85% ASHRAE 52.1-1992, MERV 13 ASHRAE 52.2-1999 (Pink)  
60-65% ASHRAE 52.1-1992, MERV 12 ASHRAE 52.2-1999 (Orange)  
50-55% ASHRAE 52.1-1992, MERV 11 ASHRAE 52.2-1999 (White)
2. Final Resistance: 1.5" W.G.
3. Rated Velocity: 500 FPM
4. Maximum Operating Temperature: 190 deg. F
5. Class 2 filter per U.L. Standard 900  
Class 1 filter optional available



100 River Ridge Circle  
Jeffersonville, IN 47130  
P: 866-925-2247  
F: 502-961-0930  
www.purolatorair.com

CONTACT FACTORY TO  
VERIFY REVISION LEVEL

**TOLERANCES  
UNLESS OTHERWISE SPECIFIED**

FRACTIONAL -  
DECIMAL -  
ANGLES -

ALL DIMENSIONS IN INCHES

DRAWING NAME <b>SERVA PAK S</b>			
APPROVED BY <i>K. Quinn</i>	SPECIFICATION NO. MKT-P-00311	PAGE 1 OF 2	
SCALE NONE	DWG. SIZE A	REVISION B	REVISION DATE 05-18-2010

CONFIDENTIAL - DO NOT COPY. THIS MATERIAL IS TRADE SECRET AND PROPRIETARY BEING EXCLUSIVELY OWNED BY CLC AIR. THE EXPRESSION OF THE INFORMATION CONTAINED HEREIN IS PROTECTED UNDER FEDERAL COPYRIGHT LAWS AND ALL COPYING IS PROHIBITED AND MAY BE SUBJECT TO CRIMINAL PENALTIES.

PERFORMANCE DATA: SERVA-PAK S

NOMINAL SIZE (INCHES) W x H x D	NUMBER OF POCKETES	MEDIA AREA (SQUARE FEET)	AIR FLOW CAPACITY (CFM) 375 FPM	AIR FLOW CAPACITY (CFM) 500 FPM	AIR FLOW CAPACITY (CFM) 625 FPM	SP95S MERV 14 MODEL NUMBER	INITIAL RESISTANCE @ 500 FPM (IN. W.G.)	SP85S MERV 13 MODEL NUMBER	INITIAL RESISTANCE @ 500 FPM (IN. W.G.)	SP65S MERV 11 MODEL NUMBER	INITIAL RESISTANCE @ 500 FPM (IN. W.G.)	SP50S MERV 10 MODEL NUMBER	INITIAL RESISTANCE @ 500 FPM (IN. W.G.)
24 x 24 x 36	9	113	1500	2000	2500	SP95S09 24X24X36	0.33	SP85S09 24X24X36	0.25	SP65S09 24X24X36	0.18	SP50S09 24X24X36	-
24 x 24 x 36	8	100	1500	2000	2500	SP95S08 24X24X36	0.35	SP85S08 24X24X36	0.26	SP65S08 24X24X36	0.20	SP50S08 24X24X36	-
24 x 24 x 36	7	91	1500	2000	2500	SP95S07 24X24X36	0.37	SP85S07 24X24X36	0.27	SP65S07 24X24X36	0.22	SP50S07 24X24X36	-
24 x 24 x 36	6	78	1500	2000	2500	SP95S06 24X24X36	0.40	SP85S06 24X24X36	0.30	SP65S06 24X24X36	0.23	SP50S06 24X24X36	-
12 x 24 x 36	3	39	750	1000	1250	SP95S03 12X24X36	0.40	SP85S03 12X24X36	0.30	SP65S03 12X24X36	0.23	SP50S03 12X24X36	-
24 x 12 x 36	6	41	750	1000	1250	SP95S06 24X12X36	0.40	SP85S06 24X12X36	0.30	SP65S06 24X12X36	0.23	SP50S06 24X12X36	-
24 x 24 x 30	10	101	1500	2000	2500	SP95S10 24X24X30	.39	SP85S10 24X24X30	.30	SP65S10 24X24X30	.23	SP50S10 24X24X30	.23
24 x 24 x 30	8	81	1500	2000	2500	SP95S08 24X24X30	.37	SP85S08 24X24X30	.38	SP65S08 24X24X30	.22	SP50S08 24X24X30	.22
24 x 24 x 30	6	63	1500	2000	2500	SP95S06 24X24X30	.40	SP85S06 24X24X30	.30	SP65S06 24X24X30	.24	SP50S06 24X24X30	.24
12 x 24 x 30	4	41	750	1000	1250	SP95S04 12X24X30	.37	SP85S04 12X24X30	.28	SP65S04 12X24X30	.22	SP50S04 12X24X30	.22
12 x 24 x 30	3	32	750	1000	1250	SP95S03 12X24X30	.40	SP85S03 12X24X30	.30	SP65S03 12X24X30	.24	SP50S03 12X24X30	.24
24 x 12 x 30	6	33	750	1000	1250	SP95S06 24X12X30	.40	SP85S06 24X12X30	.30	SP65S06 24X12X30	.24	SP50S06 24X12X30	.24
24 x 24 x 26	10	92	1500	2000	2500	SP95S10 24X24X26	.41	SP85S10 24X24X26	.33	SP65S10 24X24X26	.22	SP50S10 24X24X26	.22
24 x 24 x 26	8	75	1500	2000	2500	SP95S08 24X24X26	.39	SP85S08 24X24X26	.31	SP65S08 24X24X26	.24	SP50S08 24X24X26	.24
24 x 24 x 26	6	59	1500	2000	2500	SP95S06 24X24X26	.45	SP85S06 24X24X26	.37	SP65S06 24X24X26	.30	SP50S06 24X24X26	.30
24 x 24 x 22	10	77	1500	2000	2500	SP95S10 24X24X22	.44	SP85S10 24X24X22	.35	SP65S10 24X24X22	.23	SP50S10 24X24X22	.23
24 x 24 x 22	8	62	1500	2000	2500	SP95S08 24X24X22	.42	SP85S08 24X24X22	.33	SP65S08 24X24X22	.25	SP50S08 24X24X22	.25
12 x 24 x 22	5	39	750	1000	1250	SP95S05 12X24X22	.44	SP85S05 12X24X22	.35	SP65S05 12X24X22	.23	SP50S05 12X24X22	.23
12 x 24 x 22	4	31	750	1000	1250	SP95S04 12X24X22	.42	SP85S04 12X24X22	.33	SP65S04 12X24X22	.25	SP50S04 12X24X22	.25

NOMINAL SIZE (INCHES) W x H x D	NUMBER OF POCKETES	MEDIA AREA (SQUARE FEET)	AIR FLOW CAPACITY (CFM) 375 FPM	AIR FLOW CAPACITY (CFM) 500 FPM	AIR FLOW CAPACITY (CFM) 625 FPM	SP95S MERV 14 MODEL NUMBER	INITIAL RESISTANCE @ 500 FPM (IN. W.G.)	SP85S MERV 13 MODEL NUMBER	INITIAL RESISTANCE @ 500 FPM (IN. W.G.)	SP65S MERV 11 MODEL NUMBER	INITIAL RESISTANCE @ 500 FPM (IN. W.G.)	SP50S MERV 10 MODEL NUMBER	INITIAL RESISTANCE @ 500 FPM (IN. W.G.)
24 x 24 x 22	6	47	1500	2000	N/R	SP95S06 24X24X22	.38	SP85S06 24X24X22	.28	SP65S06 24X24X22	.18	SP50S06 24X24X22	.18
12 x 24 x 22	3	24	750	1000	N/R	SP95S03 12X24X22	.38	SP85S03 12X24X22	.28	SP65S03 12X24X22	.18	SP50S03 12X24X22	.18
24 x 12 x 22	6	26	750	1000	N/R	SP95S06 24X12X22	.38	SP85S06 24X12X12	.28	SP65S06 24X12X12	.18	SP50S03 24X12X12	.18
24 x 24 x 19	6	40	1500	2000	N/R	SP95S06 24X24X19	.41	SP85S06 24X24X19	.31	SP65S06 24X24X19	.21	SP50S06 24X24X19	.21
12 x 24 x 19	3	20	750	1000	N/R	SP95S03 12X24X19	.41	SP85S03 12X24X19	.31	SP65S03 12X24X19	.21	SP50S03 12X24X19	.21
24 x 24 x 15	10	53	1500	2000	N/R	SP95S10 24X24X15	.38	SP85S10 24X24X15	.28	SP65S10 24X24X15	.18	SP50S10 24X24X15	.18
12 x 24 x 15	58	27	750	1000	N/R	SP95S05 12X24X15	.38	SP85S05 12X24X15	.28	SP65S05 12X24X15	.18	SP50S05 24X24X15	.18
24 x 24 x 12	6	27	1500	2000	N/R	SP95S06 24X24X12	.44	SP85S06 24X24X12	.34	SP65S06 24X24X12	.24	SP50S06 24X24X12	.24
12 x 24 x 12	3	14	750	1000	N/R	SP95S03 12X24X12	.44	SP85S03 12X24X12	.34	SP65S03 12X24X12	.24	SP50S03 12X24X12	.24



100 River Ridge Circle  
Jeffersonville, IN 47130  
P: 866-925-2247  
F: 502-961-0930  
www.purolatorair.com

CONTACT FACTORY TO  
VERIFY REVISION LEVEL

TOLERANCES  
UNLESS OTHERWISE SPECIFIED

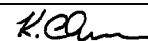
FRACTIONAL -  
DECIMAL -  
ANGLES -

ALL DIMENSIONS IN INCHES

DRAWING NAME

SERVA-PAK S

APPROVED BY



SPECIFICATION NO.

MKT-B-00311

PAGE

2 OF 2

SCALE

NONE

DWG. SIZE

A

REVISION

B

REVISION DATE

06-18-10

CONFIDENTIAL - DO NOT COPY. THIS MATERIAL IS TRADE SECRET AND PROPRIETARY BEING EXCLUSIVELY OWNED BY CLC AIR. THE EXPRESSION OF THE INFORMATION CONTAINED HEREIN IS PROTECTED UNDER FEDERAL COPYRIGHT LAWS AND ALL COPYING IS PROHIBITED AND MAY BE SUBJECT TO CRIMINAL PENALTIES.