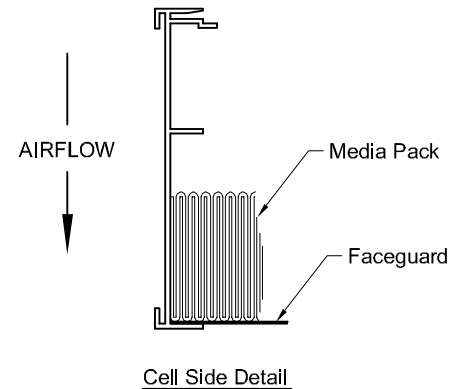
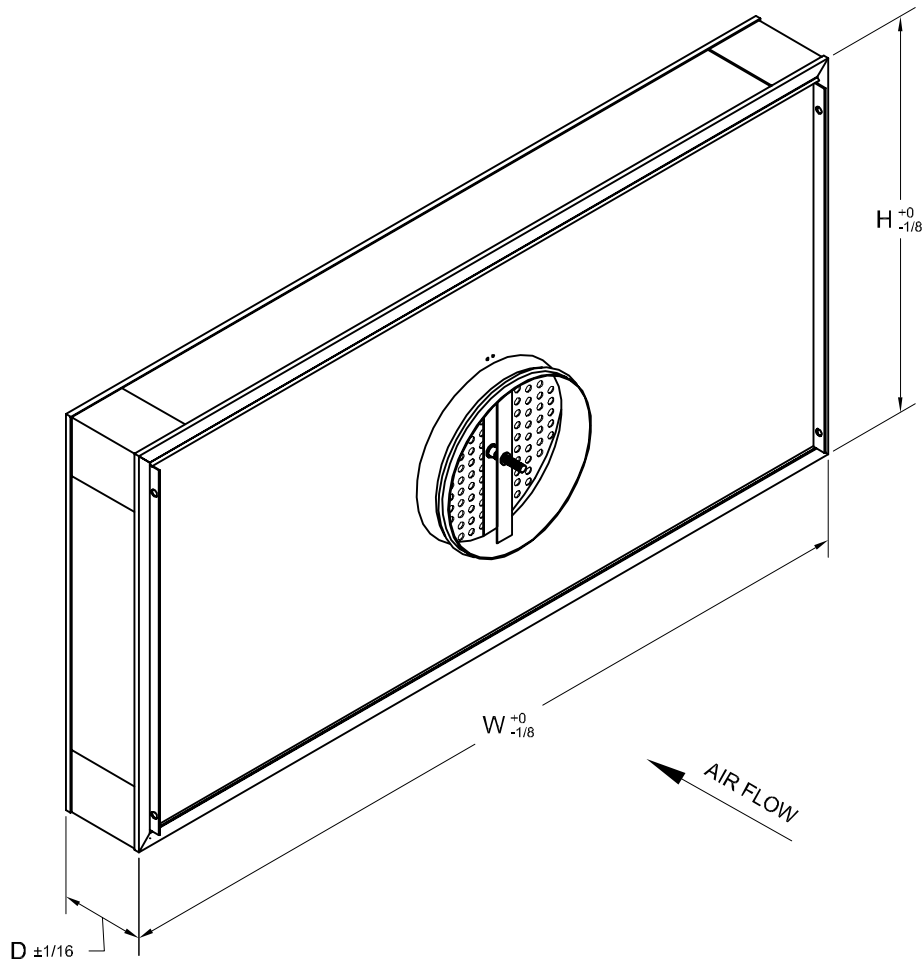


ITEM NUMBER	CONSTRUCTION CODE	NOMINAL SIZE (INCHES) H x W	ACTUAL SIZE (INCHES) H x W x D	INLET COLLAR DIAMETER (INCHES)	EFFICIENCY	INITIAL RESISTANCE (In. W.G.)	RATED AIR FLOW (CFM @ 90 FPM)
5455262018	DM299 23K23K - 12 - 00	24 x 24	23-5/8 x 23-5/8 x 5	12	99.99% @ 0.3 Micron	0.45	290
5455263127	DM299 23K47K - 12 - 00	24 x 48	23-5/8 x 47-5/8 x 5	12	99.99% @ 0.3 Micron	0.45	620
	DM259 23K23K - 12 - 00	24 x 24	23-5/8 x 23-5/8 x 5	12	99.9995% @ 0.12 Micron	0.55	290
	DM259 23K47K - 12 - 00	24 x 48	23-5/8 x 47-5/8 x 5	12	99.9995% @ 0.12 Micron	0.55	620



STANDARD CONSTRUCTION

1. Frame Material: Anodized Extruded Aluminum
2. Frame Style: Center Post, 1 Port
3. Gasket: None
4. Sealant: Urethane (180 deg. F)
5. Faceguard: White Expanded Metal - Downstream
6. Media Pack: 2" (54mm) Bead Pack (160 deg. F)

NOTES

1. Media: Micro-Glass Fiber / Acrylic Resin Binder
2. Rated Velocity: 90 FPM
3. See Drawing MKT-P-00370 for Resistance Curves
4. Recommended Final Resistance: Twice Initial Resistance
5. Class 2 Filter Per U.L. 900
6. Maximum Operating Temperature (160 deg. F)
7. Shipping Weight:
2 x 2 Module - 20 lb.
2 x 4 Module - 36 lb.

Purolator
P.O. Box 32578
Louisville, KY 40232
P: 866-925-2247
F: 502-961-0930
www.purolatorair.com

CONTACT FACTORY TO VERIFY REVISION LEVEL

TOLERANCES UNLESS OTHERWISE SPECIFIED

FRACTIONAL -
DECIMAL -
ANGLES -

ALL DIMENSIONS IN INCHES

DRAWING NAME: MICROPAK Disposable Module
12" Collar - For 1-1/2" T-Bar Grid

APPROVED BY: *K. Quinn* SPECIFICATION NO. MKT-P-00127 PAGE 1 OF 1

SCALE: NONE DWG. SIZE: A REVISION: NEW REVISION DATE: 3-1-07

CONFIDENTIAL - DO NOT COPY. THIS MATERIAL IS TRADE SECRET AND PROPRIETARY BEING EXCLUSIVELY OWNED BY CLC AIR. THE EXPRESSION OF THE INFORMATION CONTAINED HEREIN IS PROTECTED UNDER FEDERAL COPYRIGHT LAWS AND ALL COPYING IS PROHIBITED AND MAY BE SUBJECT TO CRIMINAL PENALTIES.