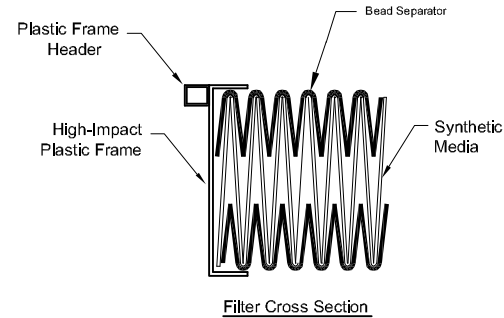
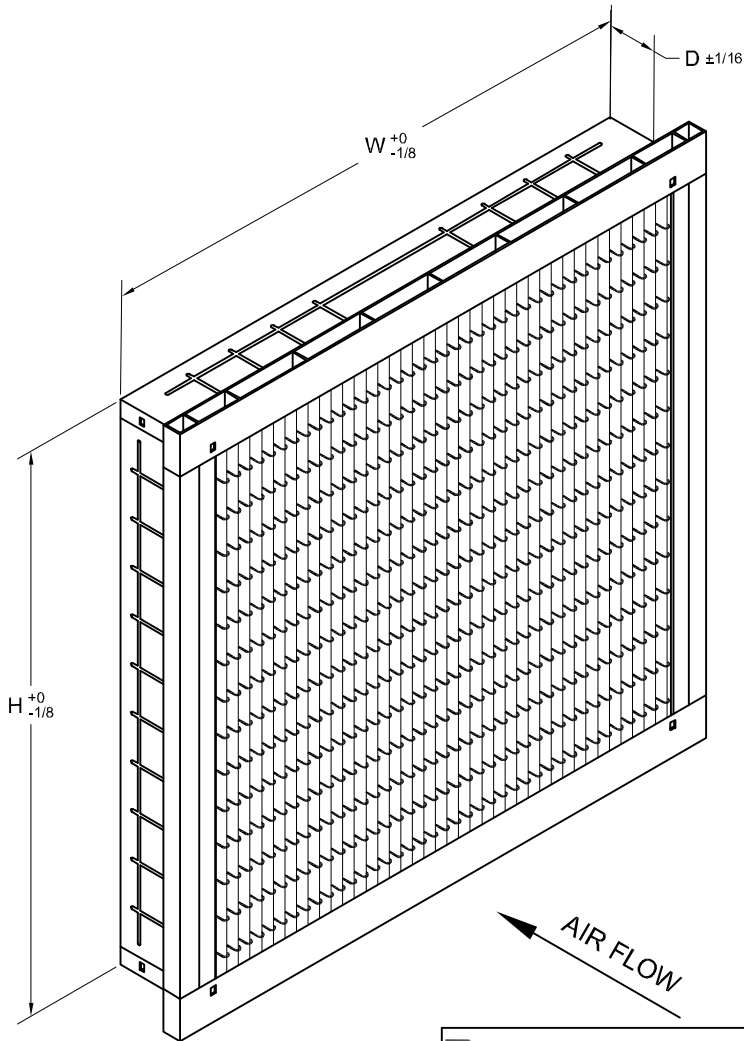


MODEL NUMBER	NOMINAL SIZE (INCH) WXHXD	ACTUAL SIZE (INCH) HXWXD	RATED AIR FLOW (CFM)	INITIAL RESISTANCE (IN W.G.)	MEDIA AREA (FT <sup>2</sup> )	MERV RATING
DR95-H-4404	24X24X4	23-3/8X23-3/8X3-3/4	2000	.48	53.5	14
DR95-H-0404	20X24X4	19-3/8X23-3/8X3-3/4	1650	.48	45.0	14
DR95-H-0004	20X20X4	19-3/8X19-3/8X3-3/4	1400	.48	37.0	14
DR95-H-2404	12X24X4	11-3/8x23-3/8x3-3/4	1100	.48	26.0	14



**STANDARD CONSTRUCTION**

- 100% Synthetic Media
- Bead Separator Packs
- High-Impact Plastic Frame Panels
- Foamed Hot Melt Sealant

**NOTES**

- Testing per ASHRAE 52.2-2007 Tested At 492 FPM on 24x24 Nominal Size
- Final Resistance: 1.5" W.G.
- Rated Velocity - 500 FPM
- Maximum Operating Temperature: 140 F
- Class 1 Filter per UL Standard 900
- Special Sizes Not Available.

**Purolator** 100 River Ridge Circle  
Jeffersonville, IN 47130  
P: 866-925-2247  
F: 502-961-0930  
www.purolatorair.com

CONTACT FACTORY TO  
VERIFY REVISION LEVEL

**TOLERANCES  
UNLESS OTHERWISE SPECIFIED**

- FRACTIONAL -  
DECIMAL -  
ANGLES -

ALL DIMENSIONS IN INCHES

DRAWING NAME  
**4" DOMINATOR WITH HEADER**

APPROVED BY *K. O'Connell* SPECIFICATION NO. MKT-P-00585 PAGE 1 OF 1

SCALE NONE DWG. SIZE A REVISION NEW REVISION DATE 08-20-09

CONFIDENTIAL - DO NOT COPY. THIS MATERIAL IS TRADE SECRET AND PROPRIETARY BEING EXCLUSIVELY OWNED BY CLC AIR. THE EXPRESSION OF THE INFORMATION CONTAINED HEREIN IS PROTECTED UNDER FEDERAL COPYRIGHT LAWS AND ALL COPYING IS PROHIBITED AND MAY BE SUBJECT TO CRIMINAL PENALTIES.