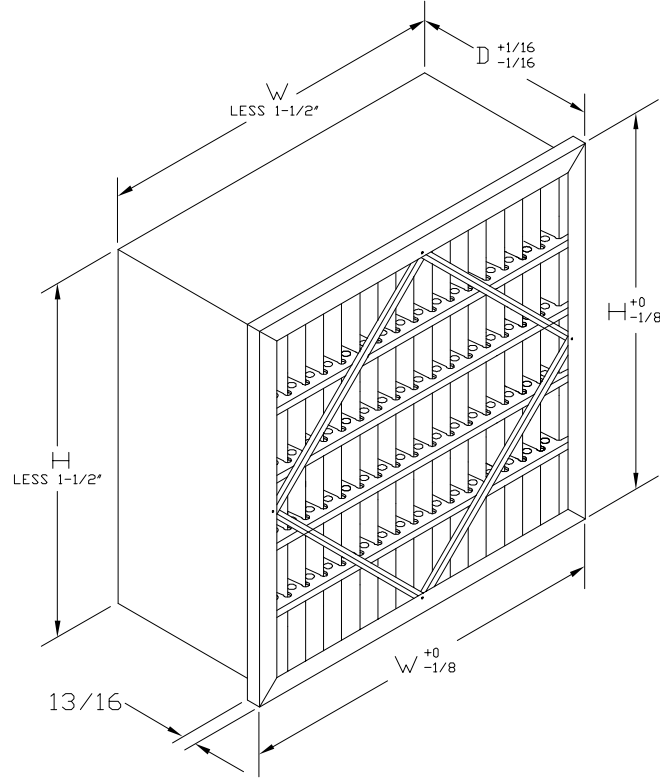


Model Number*	Nominal Size (Inches) H x W x D	Actual Size (Inches) H x W x D	Rated Air Flow (CFM)	Initial Resistance (IN W.G.)				Media Area (Square Feet)
				90-95%	80-85%	60-65%	50-55%	
HAC_-0012	20 x 20 x 12	19-3/8 x 19-3/8 x 11-1/2	1400	.80	.70	.48	.43	32
HAC_-4212	24 x 12 x 12	23-3/8 x 11-3/8 x 11-1/2	1000	.80	.70	.48	.43	23
HAC_-4012	24 x 20 x 12	23-3/8 x 19-3/8 x 11-1/2	1650	.80	.70	.48	.43	40
HAC_-4412	24 x 24 x 12	23-3/8 x 23-3/8 x 11-1/2	2000	.80	.70	.48	.43	47
HAC_-0006	20 x 20 x 6	19-3/8 x 19-3/8 x 5-7/8	700	.80	.70	.48	.43	17
HAC_-4206	24 x 12 x 6	23-3/8 x 11-3/8 x 5-7/8	500	.80	.70	.48	.43	13
HAC_-4406	24 x 24 x 6	23-3/8 x 23-3/8 x 5-7/8	1000	.80	.70	.48	.43	27

\* - Insert Filter Efficiency Code (95 = 90-95%, 85 = 80-85%, 60 = 60-65%, 50 = 50-55%). Example: HAC95-4412 is 90-95% 24x24x12



#### STANDARD CONSTRUCTION

1. High Efficiency, High Loft Microglass Filter Media
2. Expanded Metal Pleat Supports
3. Adhesive Seal on All Four Media Pack Sides
4. 24 Gauge Galvanized Steel Cell Sides
5. Plastic Fingers Maintain Pleat Spacing
6. Diagonal Support Braces on Air Entering and Air Leaving Sides for Additional Rigidity
7. 13/16" Header on Air Entering Side Standard
8. 1-1/8" 'C' Style Header Optional  
(Add 'CH' Suffix on the Model Number)

#### NOTES

1. Average Efficiency, MERV  
90-95% ASHRAE 52.1-1992, MERV 14 ASHRAE 52.2-1999  
80-85% ASHRAE 52.1-1992, MERV 13 ASHRAE 52.2-1999  
60-65% ASHRAE 52.1-1992, MERV 11 ASHRAE 52.2-1999  
50-55% ASHRAE 52.1-1992, MERV 10 ASHRAE 52.2-1999
2. Final Resistance: 1.5" W.G.
3. Rated Velocity 12" Deep - 500 FPM
4. Rated Velocity 6" Deep - 250 FPM
5. Class 2 Filter Per U.L. Standard 900
6. Maximum Operating Temperature: 180 deg. F
7. Optional Gasket Available  
U - Upstream Gasket (Ex: HAC95F 24x24x12-U)  
D - Downstream Gasket  
UD- Both Sides  
SA - Side Access Gasket (One Vertical Side)
8. Special sizes not available

**Purolator**  
P.O. Box 32578  
Louisville, KY 40232  
P: 866-925-2247  
F: 502-961-0930  
www.purolatorair.com

**CONTACT FACTORY TO  
VERIFY REVISION LEVEL**

#### TOLERANCES UNLESS OTHERWISE SPECIFIED

FRACTIONAL	-
DECIMAL	-
ANGLES	-

ALL DIMENSIONS IN INCHES

DRAWING NAME

**AERO CELL W/ HEADER**

APPROVED BY

SPECIFICATION NO.

PAGE

MKT-P-00131

1 OF 1

SCALE

NONE

DWG. SIZE

A

REVISION

NEW

REVISION DATE

11-09-07

CONFIDENTIAL - DO NOT COPY. THIS MATERIAL IS TRADE SECRET AND PROPRIETARY BEING EXCLUSIVELY OWNED BY CLC AIR. THE EXPRESSION OF THE INFORMATION CONTAINED HEREIN IS PROTECTED UNDER FEDERAL COPYRIGHT LAWS AND ALL COPYING IS PROHIBITED AND MAY BE SUBJECT TO CRIMINAL PENALTIES.