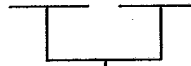


UP

Style
UP= UNI-PAK



Efficiency:
65 - 65% = 65
85 - 85% = 85
95 - 95% = 95



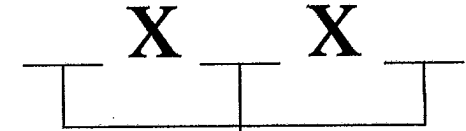
Of Pockets
See Chart



Header:
Standard = Blank
Cambridge = C

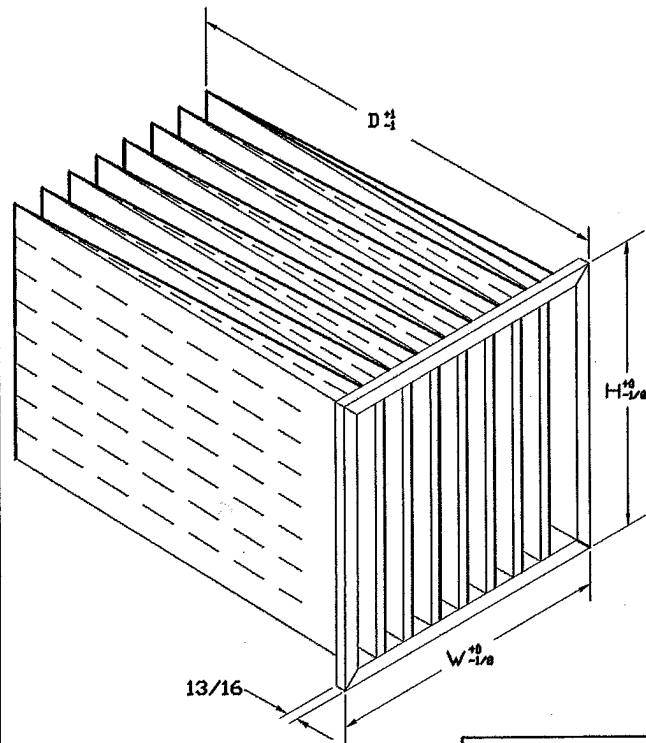


Type:
Standard = Blank
Gasketing locations =
With Loops = L
1" Exact Header = E
UL Class 1 = I



Size (W x H x D)
Example 24x24x30

U = Upstream
D = Downstream
UD = Both Sides
SA = Side Access
P = Perimeter



SIZE W X H	# OF POCKETS	
24 X 24	23-3/8 x 23-3/8	06 - 12
12 X 24	11-3/8 x 23-3/8	03 - 05
24 X 12	23-3/8 x 11-3/8	05 - 12
20 X 24	19-3/8 x 23-3/8	05 - 09
24 X 20	23-3/8 x 19-3/8	05 - 12
20 X 20	19-3/8 x 19-3/8	04 - 09
16 X 20	15-3/8 x 19-3/8	03 - 07
20 X 16	19-3/8 x 15-3/8	04 - 09
16 X 25	15-3/8 x 24-3/8	06 - 07
25 X 16	24-3/8 x 15-3/8	05 - 12
20 X 25	19-3/8 x 24-3/8	06 - 09
25 X 20	24-3/8 x 19-3/8	05 - 12

STANDARD CONSTRUCTION

1. High Efficiency, Meltblown Synthetic Media
2. Sonic Welded Pocket Construction
3. Polypropylene Fabric Ribbon Separators
4. Galvanized Steel Header
5. Galvanized Steel Pocket Retainers

EXAMPLE MODEL: UP9508 24x24x30


NOTES

1. Four Efficiencies Available (Media Color in Parentheses)
90-95% ASHRAE 52.1-1992, MERV 14 ASHRAE 52.2-1999 (Yellow)
80-85% ASHRAE 52.1-1992, MERV 13 ASHRAE 52.2-1999 (PINK/Red)
60-65% ASHRAE 52.1-1992, MERV 12 ASHRAE 52.2-1999 (Orange)
2. Final Resistance: 1.5" W.G.
3. Rated Velocity: 500 FPM
4. Maximum Operating Temperature: 200 deg. F
5. Class 1 OR 2 filter per U.L. Standard 900

<p>P.O. Box 32578 Louisville, KY 40232 P: 866-926-2247 F: 502-961-0930 www.purolatorair.com</p>	<p>TOLERANCES UNLESS OTHERWISE SPECIFIED</p> <p>FRACTIONAL -- DECIMAL -- ANGLES --</p>	DRAWING NAME UNI-PAK			
		APPROVED BY <i>H. Quinn</i>	SPECIFICATION NO. MKT-P-00314	PAGE 1 OF 2	
<p>CONTACT FACTORY TO VERIFY REVISION LEVEL</p>		SCALE NONE	DWG. SIZE A	REVISION NEW	REVISION DATE 08-21-07
		<p>ALL DIMENSIONS IN INCHES</p> <p><small>CONFIDENTIAL - DO NOT COPY. THIS MATERIAL IS TRADE SECRET AND PROPRIETARY BEING EXCLUSIVELY OWNED BY CLC AIR. THE EXPRESSION OF THE INFORMATION CONTAINED HEREIN IS PROTECTED UNDER FEDERAL COPYRIGHT LAWS AND ALL COPYING IS PROHIBITED AND MAY BE SUBJECT TO CRIMINAL PENALTIES.</small></p>			

PERFORMANCE DATA: UNI-PAK 65/85/95

NOMINAL SIZE W X H X D	MODEL NUMBER	# OF POCKETS	MEDIA AREA SQ. FT.	FLOW RATE CFM	65% RESIST W.G.	85% RESIST W.G.	95% RESIST W.G.
24X24X22	UP**10-4422	10	77	2000	.32	.38	.47
24X24X22	UP**08-4422	8	62	2000	.30	.36	.45
24X24X22	UP**06-4422	6	48	2000	.34	.40	.49
12X24X22	UP**05-2422	5	39	1000	.37	.44	.52
12X24X22	UP**04-2422	4	31	1000	.35	.46	.50
12X24X22	UP**03-2422	3	24	1000	.39	.48	.54
24X24X30	UP**10-4430	10	102	2000	.37	.46	.52
24X24X30	UP**08-4430	8	84	2000	.35	.44	.50
24X24X30	UP**06-4430	6	65	2000	.39	.48	.54
12X24X30	UP**05-2430	5	46	1000	.32	.38	.47
12X24X30	UP**04-2430	4	42	1000	.30	.36	.45
12X24X30	UP**03-2430	3	33	1000	.34	.40	.49

 <p>P.O. Box 32578 Louisville, KY 40232 P: 866-925-2247 F: 502-961-0930 www.purolatorair.com</p>	TOLERANCES UNLESS OTHERWISE SPECIFIED		DRAWING NAME UNI-PAK			
	FRACTIONAL - DECIMAL - ANGLES -	APPROVED BY <i>K. Quinn</i>		SPECIFICATION NO. MKT-P-00314		PAGE 2 OF 2
CONTACT FACTORY TO VERIFY REVISION LEVEL			SCALE NONE	DWG. SIZE A	REVISION NEW	REVISION DATE 08-21-07
ALL DIMENSIONS IN INCHES			CONFIDENTIAL - DO NOT COPY. THIS MATERIAL IS TRADE SECRET AND PROPRIETARY BEING EXCLUSIVELY OWNED BY CLC AIR. THE EXPRESSION OF THE INFORMATION CONTAINED HEREIN IS PROTECTED UNDER FEDERAL COPYRIGHT LAWS AND ALL COPYING IS PROHIBITED AND MAY BE SUBJECT TO CRIMINAL PENALTIES.			