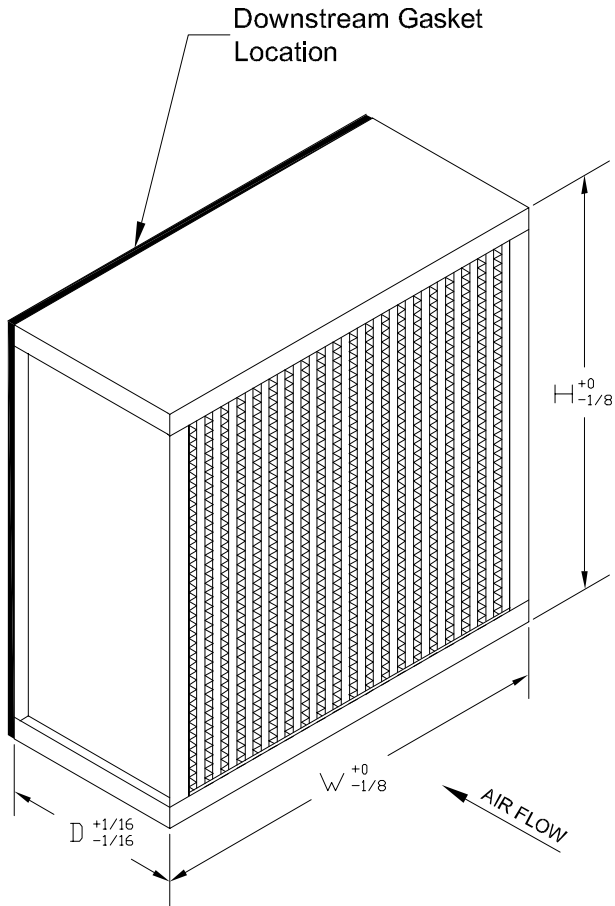
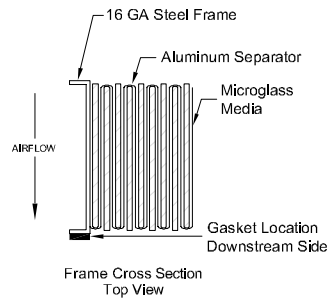


Item Number	Model Number	Actual Size	RATED AIR FLOW (CFM)	Media Area (Square Feet)
5455455076	UCGLV97 24024012 XBU GND 00 00	24 x 24 x 11-1/2	1050	185
5455455068	UCGLV97 12024012 XBU GND 00 00	12 x 24 x 11-1/2	525	88



Construction	Description
Standard and Certification	HEPA-TEST-RP-CC001.3, Type A per MIL-STD 282
Frame Material	16 GA Corrosion Resistant Steel
Frame Style	Metal C-Style
Gasket	Urethane 1/4" x 3/4" (180 deg. F), Dovetail Joints
Gasket Location	Downstream
Hardware	None
Acceptance Level	99.97% on 0.3 Micron Overall (Q-107 Tested)
Separators	Aluminum Separators, Standard Capacity



**NOTES**

1. Media: Micro-Glass Fiber / Acrylic Resin Binder
2. Rated Velocity  
11-1/2" Depth -250 FPM
3. Initial Resistance: 1" W.G. @ Rated Air Flow
4. Recommended Final Resistance: 2" W.G. @ Rated Flow (Twice Initial Resistance)
5. Class 1 Filter Per U.L Standard 900
6. Maximum Operating Temperature: 180 Deg. F
7. Standard Gasket Location Downstream
8. Optional Gasket Locations Available (Contact Factory)

**Purolator**  
P.O. Box 32578  
Louisville, KY 40232  
P: 866-925-2247  
F: 502-961-0930  
www.purolatorair.com

**CONTACT FACTORY TO  
VERIFY REVISION LEVEL**

**TOLERANCES  
UNLESS OTHERWISE SPECIFIED**

FRACTIONAL	-
DECIMAL	-
ANGLES	-

ALL DIMENSIONS IN INCHES

DRAWING NAME Ultra Cell Standard Capacity			
APPROVED BY	SPECIFICATION NO. MKT-P-00550	PAGE 1 OF 1	
SCALE NONE	DWG. SIZE A	REVISION NEW	REVISION DATE 5-27-08
<small>CONFIDENTIAL - DO NOT COPY. THIS MATERIAL IS TRADE SECRET AND PROPRIETARY BEING EXCLUSIVELY OWNED BY CLC AIR. THE EXPRESSION OF THE INFORMATION CONTAINED HEREIN IS PROTECTED UNDER FEDERAL COPYRIGHT LAWS AND ALL COPYING IS PROHIBITED AND MAY BE SUBJECT TO CRIMINAL PENALTIES.</small>			