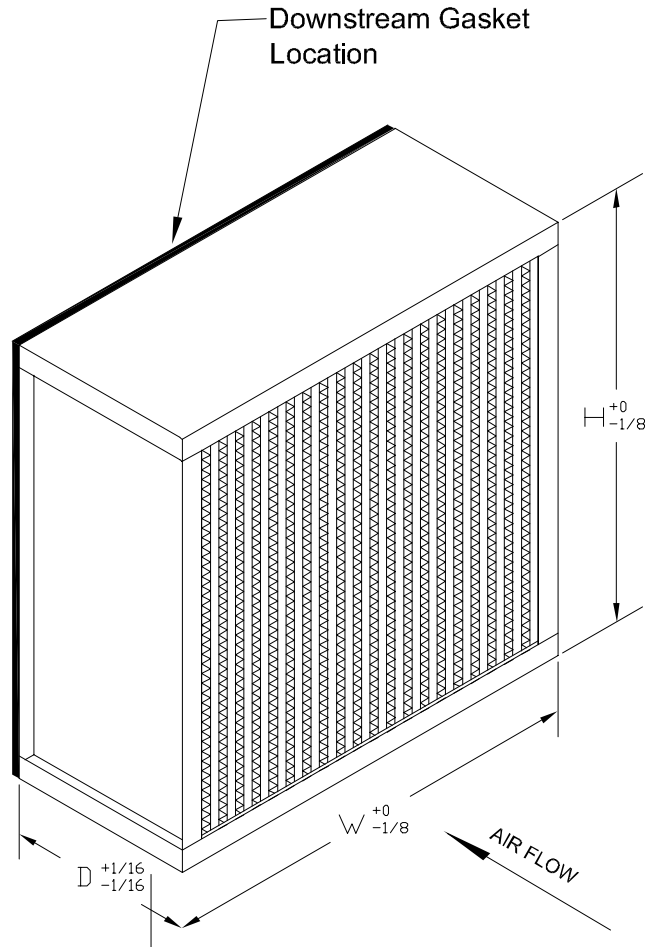
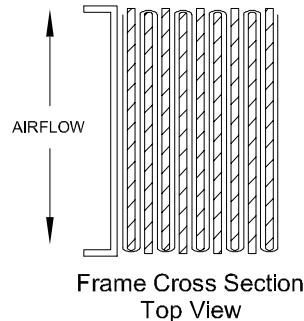


Item Number	Model Number	Actual Size (inches) H x W x D	Rated Air Flow (CFM)	Media Area (Square Feet)
5455055106	UHGLV97 24024012 XBU GND 00 00	24 x 24 x 12	2000	286
5455055105	UHGLV97 24012012 XBU GND 00 00	12 x 24 x 12	1000	133



Construction	Description
Standard and Certification	HEPA-IEST-RP-CC001.3, Type A per MIL-STD 282
Frame Material	16 GA Corrosion Resistance Steel
Frame Style	Metal C Style
Gasket	Urethane 1/4" x 3/4" (180 deg. F), Dovetail Joints
Gasket Location	Downstream
Sealant	Urethane (180 deg. F)
Hardware	None
Acceptance Level	99.97% on 0.3 Micron Overall (Q-107 Tested)
Separators	Aluminum Separators, High Capacity



NOTES

- Media: Micro-Glass Fiber / Acrylic Resin Binder
- Rated Velocity
11-1/2" Depth - 500 FPM
- Initial Resistance: 1.35" W.G @ Rated Air Flow
- Recommended Final Resistance: 2.7" W.G. @ Rated Flow (Twice Initial Resistance)
- Class 1 Filter Per U.L Standard 900
- Maximum Operating Temperature: 180 Deg. F
- Standard Gasket Location Downstream
- Optional Gasket Locations (Contact Factory)



P.O. Box 32578
Louisville, KY 40232
P: 866-925-2247
F: 502-961-0930
www.purolatorair.com

CONTACT FACTORY TO
VERIFY REVISION LEVEL

TOLERANCES
UNLESS OTHERWISE SPECIFIED

FRACTIONAL	-
DECIMAL	-
ANGLES	-

ALL DIMENSIONS IN INCHES

DRAWING NAME ULTRA CELL HIGH CAPACITY			
APPROVED BY <i>K. Quinn</i>	SPECIFICATION NO. MKT-P-00551	PAGE 1 OF 1	
SCALE NONE	DWG. SIZE A	REVISION NEW	REVISION DATE 6-2-08
<small>CONFIDENTIAL - DO NOT COPY. THIS MATERIAL IS TRADE SECRET AND PROPRIETARY BEING EXCLUSIVELY OWNED BY CLC AIR. THE EXPRESSION OF THE INFORMATION CONTAINED HEREIN IS PROTECTED UNDER FEDERAL COPYRIGHT LAWS AND ALL COPYING IS PROHIBITED AND MAY BE SUBJECT TO CRIMINAL PENALTIES.</small>			