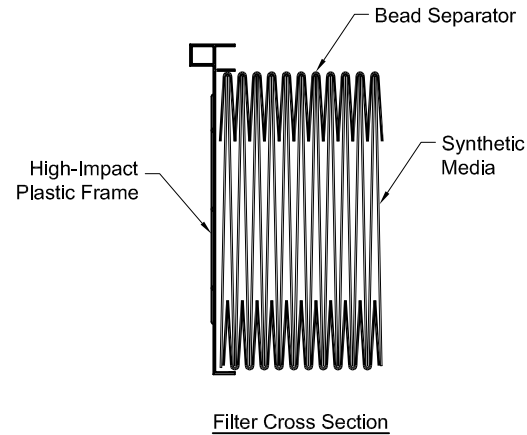
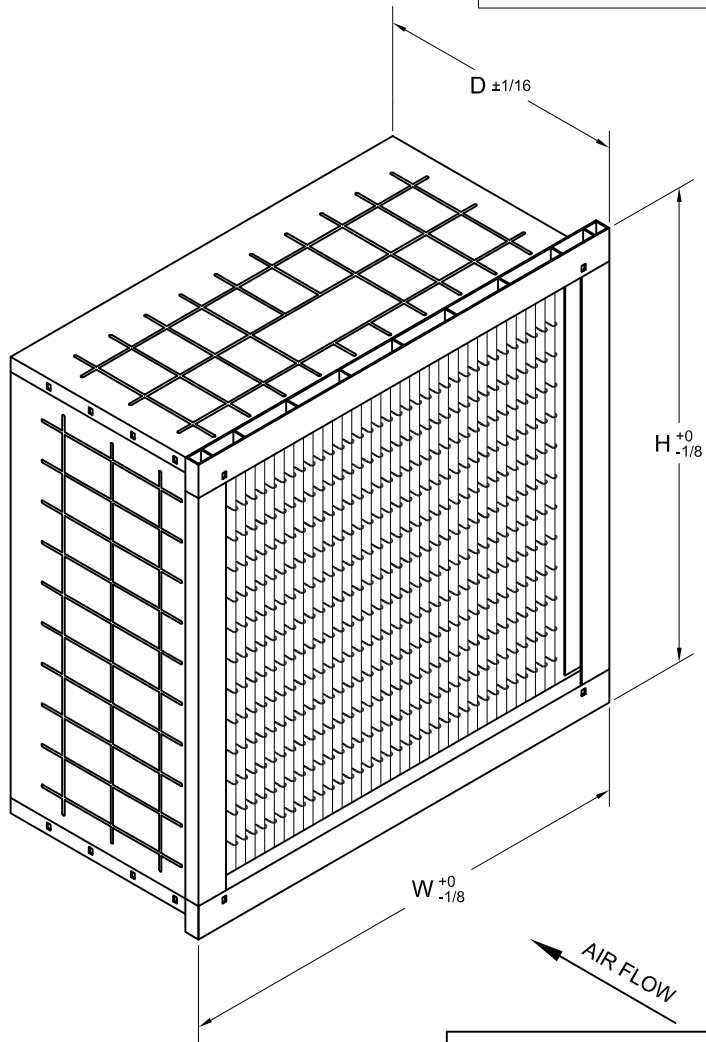


MODEL NUMBER	CONSTRUCTION CODE	NOMINAL SIZE (INCHES) HXWXD	ACTUAL SIZE (INCHES) HXWXD	RATED AIR FLOW (CFM)	INITIAL RESISTANCE (IN. W.G.)	MEDIA AREA (SQUARE FEET)	Efficiency @ 0.3 Micron
UCLR-4412-PH-SA	UCPHLR-23F23F12-HPU-GSA-00-00	24X24X12	23-3/8X23-3/8X11-1/2	2000	.58	101	99% +
UCLR-0412-PH-SA	UCPHLR-23F19F12-HPU-GSA-00-00	24X20X12	23-3/8X19-3/8X11-1/2	1650	.58	83	99% +
UCLR-0012-PH-SA	UCPHLR-19F19F12-HPU-GSA-00-00	20X20X12	19-3/8X19-3/8X11-1/2	1400	.58	69	99% +
UCLR-2412-PH-SA	UCPHLR-23F11F12-HPU-GSA-00-00	24X12X12	23-3/8X11-3/8X11-1/2	1000	.58	49	99% +



STANDARD CONSTRUCTION

1. 100% Synthetic Media
2. Bead Separator Packs
3. High-Impact Poly Styrene Plastic Frame Panels
4. Urethane Sealant
5. 1/4 x 3/4 neoprene gasket on one vertical side of header for side access installation
6. Other gasket locations optional

NOTES

1. Testing per LMS 2000 using emery oil, neutralized
2. Standard final resistance 1.5" W.C.
3. Optimal final resistance 1.16" W.C.
4. Rated Velocity - 500 FPM
5. Maximum Operating Temperature: 160 deg. F
6. Class 2 Filter per UL Standard 900
7. Special Sizes Not Available.

Purolator
 100 River Ridge Circle
 Jeffersonville, IN 47130
 P: 866-925-2247
 F: 502-961-0930
 www.purolatorair.com

CONTACT FACTORY TO
 VERIFY REVISION LEVEL

TOLERANCES
 UNLESS OTHERWISE SPECIFIED

FRACTIONAL -
 DECIMAL -
 ANGLES -

ALL DIMENSIONS IN INCHES

DRAWING NAME ULTRA CELL LR PLASTIC WITH HEADER			
APPROVED BY <i>K. Quinn</i>	SPECIFICATION NO. MKT-P-00586	PAGE 1 OF 1	
SCALE NONE	DWG. SIZE A	REVISION NEW	REVISION DATE 01/12/2010
CONFIDENTIAL - DO NOT COPY. THIS MATERIAL IS TRADE SECRET AND PROPRIETARY BEING EXCLUSIVELY OWNED BY CLC AIR. THE EXPRESSION OF THE INFORMATION CONTAINED HEREIN IS PROTECTED UNDER FEDERAL COPYRIGHT LAWS AND ALL COPYING IS PROHIBITED AND MAY BE SUBJECT TO CRIMINAL PENALTIES.			