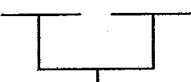
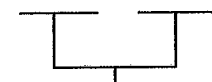


S P

Style
SP= Serva-Pak

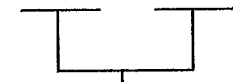


Efficiency:
50 - 55% = 50
60 - 65% = 65
80 - 85% = 85
90 - 95% = 95



Of Pockets
See Chart

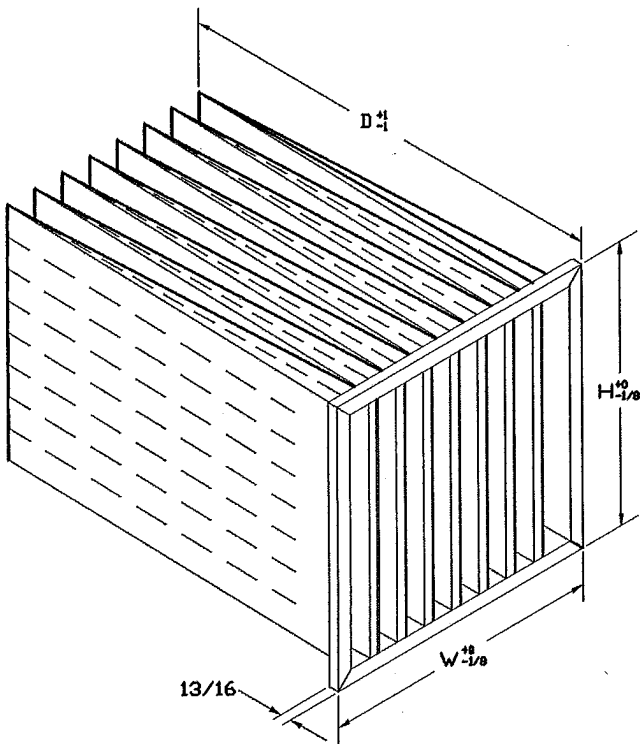
Header:
Standard = Blank
Cambridge = C



Type:
Standard = Blank
Gasketing locations =
With Loops = L
Oil mist = M
1" Exact Header = E

X X

Size (W x H x D)
Example 24x24x30



SIZE W X H # OF POCKETS		
24 X 24	23-3/8 x 23-3/8	06 - 13
12 X 24	11-3/8 x 23-3/8	03 - 05
24 X 12	23-3/8 x 11-3/8	05 - 12
20 X 24	19-3/8 x 23-3/8	05 - 09
24 X 20	23-3/8 x 19-3/8	05 - 12
20 X 20	19-3/8 x 19-3/8	04 - 09
16 X 20	15-3/8 x 19-3/8	03 - 07
20 X 16	19-3/8 x 15-3/8	04 - 09
16 X 25	15-3/8 x 24-3/8	06 - 07
25 X 16	24-3/8 x 15-3/8	05 - 12
20 X 25	19-3/8 x 24-3/8	06 - 09
25 X 20	24-3/8 x 19-3/8	05 - 12

- STANDARD CONSTRUCTION**
1. High Efficiency, High-loft Microglass Media
 2. Sewn Pocket Construction
 3. Span Stich Pocket Separators
 4. Galvanized Steel Header
 5. Galvanized Steel Pocket Retainers

U = Upstream
D = Downstream
UD = Both Sides
SA = Side Access
P = Perimeter

EXAMPLE MODEL: SP9508 24X24X30

- NOTES**
1. Four Efficiencies Available (Media Color in Parentheses)
90-95% ASHRAE 52.1-1992, MERV 14 ASHRAE 52.2-1999 (Yellow)
80-85% ASHRAE 52.1-1992, MERV 13 ASHRAE 52.2-1999 (Pink/Red)
60-65% ASHRAE 52.1-1992, MERV 12 ASHRAE 52.2-1999 (Orange)
50-55% ASHRAE 52.1-1992, MERV 11 ASHRAE 52.2-1999 (Tan)
 2. Final Resistance: 1.5" W.G.
 3. Rated Velocity: 500 FPM
 4. Maximum Operating Temperature: 190 deg. F
 5. Class 2 filter per U.L. Standard 900

Purolator
P.O. Box 32578
Louisville, KY 40232
P: 866-925-2247
F: 502-961-0930
www.purolatorair.com

CONTACT FACTORY TO VERIFY REVISION LEVEL

TOLERANCES UNLESS OTHERWISE SPECIFIED

FRACTIONAL	-
DECIMAL	-
ANGLES	-

ALL DIMENSIONS IN INCHES


DRAWING NAME: **SERVA-PAK**

APPROVED BY: <i>K. Quinn</i>	SPECIFICATION NO. MKT-P-00313	PAGE 1 OF 3
SCALE: NONE	DWG. SIZE: A	REVISION: A
REVISION DATE: 05-19-08		

CONFIDENTIAL - DO NOT COPY. THIS MATERIAL IS TRADE SECRET AND PROPRIETARY BEING EXCLUSIVELY OWNED BY CLC AIR. THE EXPRESSION OF THE INFORMATION CONTAINED HEREIN IS PROTECTED UNDER FEDERAL COPYRIGHT LAWS AND ALL COPYING IS PROHIBITED AND MAY BE SUBJECT TO CRIMINAL PENALTIES.

PERFORMANCE DATA: SERVA-PAK 50
SERIES TYPE 50: 50-55% ASHRAE EFFICIENT

NOMINAL SIZE WXHXD	ACTUAL SIZE WXHXD	# OF POCKETS	MEDIA AREA SQ. FT.	MODEL NUMBER	FLOW RATE CFM	RESIST. IN W.G.
24 X 24 X 10	23-5/16 X 23-5/16 X 10	6	22	SP5006 4410	1600	.18
20 X 24 X 10	19-5/16 X 23-5/16 X 10	5	18	SP5005 0410	1250	.18
20 X 20 X 10	19-5/16 X 19-5/16 X 10	5	15	SP5005 0010	1050	.16
12 X 24 X 10	11-5/16 X 23-5/16 X 10	3	10	SP5003 2410	800	.20
24 X 24 X 15	23-5/16 X 23-5/16 X 15	6	33	SP5006 4415	2000	.16
20 X 24 X 15	19-5/16 X 23-5/16 X 15	5	28	SP5005 0415	1500	.18
20 X 20 X 15	19-5/16 X 19-5/16 X 15	5	24	SP5005 0015	1300	.16
12 X 24 X 15	11-5/16 X 23-5/16 X 15	3	16	SP5003 2415	1000	.20
24 X 24 X 18	23-5/16 X 23-5/16 X 18	6	40	SP5006 4415	2500	.24
20 X 24 X 18	19-5/16 X 23-5/16 X 18	5	33	SP5005 0418	2000	.24
20 X 20 X 18	19-5/16 X 19-5/16 X 18	5	28	SP5005 0018	1750	.22
12 X 24 X 18	11-5/16 X 23-5/16 X 18	3	20	SP5003 2418	1250	.27
24 X 24 X 22	23-5/16 X 23-5/16 X 22	6	49	SP5006 4422	3000	.34
20 X 24 X 22	19-5/16 X 23-5/16 X 22	5	41	SP5005 02422	2500	.34
20 X 20 X 22	19-5/16 X 19-5/16 X 22	5	35	SP5005 0022	2000	.28
12 X 24 X 22	11-5/16 X 23-5/16 X 22	3	25	SP5003 2422	1500	.37

 <p>P.O. Box 32578 Louisville, KY 40232 P: 866-825-2247 F: 502-981-0830 www.purolatorair.com</p>	<p>TOLERANCES UNLESS OTHERWISE SPECIFIED</p> <p>FRACTIONAL -- DECIMAL -- ANGLES --</p>	DRAWING NAME SERVA-PAK			
		APPROVED BY <i>K. Quinn</i>	SPECIFICATION NO. MKT-P-00313	PAGE 2 OF 3	
<p>CONTACT FACTORY TO VERIFY REVISION LEVEL</p>		SCALE NONE	DWG. SIZE A	REVISION A	REVISION DATE 05-19-08
		<p><small>CONFIDENTIAL - DO NOT COPY. THIS MATERIAL IS TRADE SECRET AND PROPRIETARY BEING EXCLUSIVELY OWNED BY CLC AIR. THE EXPRESSION OF THE INFORMATION CONTAINED HEREIN IS PROTECTED UNDER FEDERAL COPYRIGHT LAWS AND ALL COPYING IS PROHIBITED AND MAY BE SUBJECT TO CRIMINAL PENALTIES.</small></p>			
<p>ALL DIMENSIONS IN INCHES</p>					

PERFORMANCE DATA: SERVA-PAK 85/85/95%

NOMINAL SIZE WX H X D	# of pockets	media area sq. ft.	clm cap high	85% model numbers	RESIT IN W.G. HIGH	85% model numbers	RESIT IN W.G. HIGH	95% MODEL NUMBERS	RESIT IN W.G. HIGH
24 X 24 X 16	12	61	2000	SP8512 4416	.54	SP8512 4416	.61	SP8512 4416	.82
24 X 24 X 36	10	120	-	SP8510 4436	-	SP8510 4436	-	SP8510 4436	-
20 X 24 X 36	8	98	-	SP8508 0436	-	SP8508 0436	-	SP8508 0436	-
12 X 24 X 36	5	60	-	SP8505 2436	-	SP8505 2436	-	SP8505 2436	-
24 X 24 X 30	10	89	2500	SP8510 4430	.29	SP8510 4430	.60	SP8510 4430	.70
20 X 24 X 30	8	79	2000	SP8508 0430	.28	SP8508 0430	.34	SP8508 0430	.63
12 X 24 X 30	5	50	1250	SP8505 2430	.32	SP8505 2430	.54	SP8505 2430	.70
24 X 24 X 22	10	78	2000	SP8510 4422	.20	SP8510 4422	.38	SP8510 4422	.68
20 X 24 X 22	8	61	1800	SP8508 0422	.18	SP8508 0422	.31	SP8508 0422	.61
12 X 24 X 22	5	38	1000	SP8505 2422	.25	SP8505 2422	.42	SP8505 2422	.62
24 X 24 X 37	9	117	-	SP8509 4437	-	SP8509 4437	-	SP8509 4437	-
24 X 24 X 30	9	87	2500	SP8509 4430	.31	SP8509 4430	.63	SP8509 4430	.73
24 X 24 X 22	9	69	2000	SP8509 4422	.22	SP8509 4422	.42	SP8509 4422	.62
24 X 24 X 36	8	100	2500	SP8508 4436	.30	SP8508 4436	.42	SP8508 4436	.62
20 X 24 X 36	6	75	2000	SP8506 0436	.21	SP8506 0436	.31	SP8506 0436	.54
12 X 24 X 36	4	50	1250	SP8504 2436	.33	SP8504 2436	.44	SP8504 2436	.60
24 X 24 X 30	8	84	2500	SP8508 4430	.30	SP8508 4430	.60	SP8508 4430	.66
20 X 24 X 30	6	63	2000	SP8506 0430	.22	SP8506 0430	.38	SP8506 0430	.51
12 X 24 X 30	4	42	1250	SP8504 2430	.32	SP8504 2430	.46	SP8504 2430	.63
24 X 24 X 22	8	62	2000	SP8508 4422	.21	SP8508 4422	.40	SP8508 4422	.64
20 X 24 X 22	6	47	1800	SP8506 0422	.15	SP8506 0422	.36	SP8506 0422	.62
12 X 24 X 22	4	31	1000	SP8504 2422	.22	SP8504 2422	.40	SP8504 2422	.64
24 X 24 X 37	7	94	2500	SP8507 4437	.30	SP8507 4437	.40	SP8507 4437	.60
24 X 24 X 30	7	70	2500	SP8507 4430	.28	SP8507 4430	.44	SP8507 4430	.60
24 X 24 X 22	7	66	2000	SP8507 4422	.19	SP8507 4422	.44	SP8507 4422	.70
24 X 24 X 36	6	78	2000	SP8506 4436	.20	SP8506 4436	.28	SP8506 4436	.48
20 X 24 X 36	5	65	1800	SP8505 0436	.19	SP8505 0436	.28	SP8505 0436	.48
12 X 24 X 36	3	39	1000	SP8503 2436	.24	SP8503 2436	.32	SP8503 2436	.66
20 X 20 X 36	5	55	1800	SP8505 0036	.20	SP8505 0036	.35	SP8505 0036	.66
24 X 24 X 30	6	65	2000	SP8506 4430	.18	SP8506 4430	.36	SP8506 4430	.47
20 X 24 X 30	5	54	1800	SP8505 0430	.18	SP8505 0430	.32	SP8505 0430	.67
12 X 24 X 30	3	33	1000	SP8503 2430	.18	SP8503 2430	.33	SP8503 2430	.60
20 X 20 X 30	5	45	1800	SP8505 0030	.24	SP8505 0030	.40	SP8505 0030	.66
24 X 24 X 22	6	48	1500	SP8506 4422	.13	SP8506 4422	.34	SP8506 4422	.66
20 X 24 X 22	5	40	1250	SP8505 0422	.13	SP8505 0422	.31	SP8505 0422	.49
12 X 24 X 22	3	24	750	SP8503 2422	.14	SP8503 2422	.32	SP8503 2422	.67
20 X 20 X 22	5	34	1250	SP8505 0022	.17	SP8505 0022	.39	SP8505 0022	.68

Purolator
 P.O. Box 32578
 Louisville, KY 40232
 P: 866-925-2247
 F: 502-961-0930
 www.purolatorair.com

**CONTACT FACTORY TO
 VERIFY REVISION LEVEL**

**TOLERANCES
 UNLESS OTHERWISE SPECIFIED**

FRACTIONAL -
 DECIMAL -
 ANGLES -

ALL DIMENSIONS IN INCHES

DRAWING NAME: **SERVA-PAK**

APPROVED BY: *K. Quinn* SPECIFICATION NO. **MKT-P-00313** PAGE **3 OF 3**

SCALE: **NONE** DWG. SIZE: **A** REVISION: **A** REVISION DATE: **05-19-08**

CONFIDENTIAL - DO NOT COPY. THIS MATERIAL IS TRADE SECRET AND PROPRIETARY BEING EXCLUSIVELY OWNED BY CLC AIR. THE EXPRESSION OF THE INFORMATION CONTAINED HEREIN IS PROTECTED UNDER FEDERAL COPYRIGHT LAWS AND ALL COPYING IS PROHIBITED AND MAY BE SUBJECT TO CRIMINAL PENALTIES.