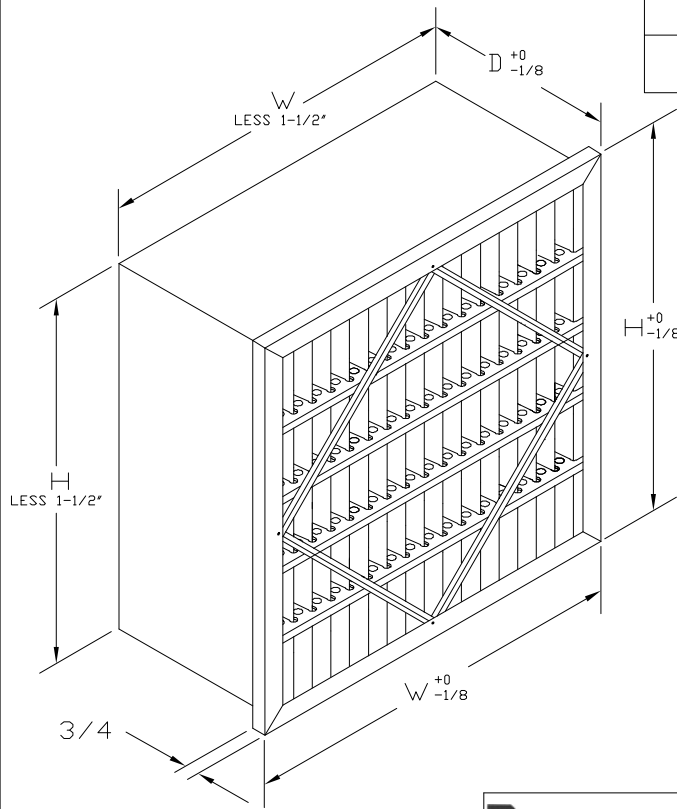


MODEL NUMBER	NOMINAL SIZE (INCHES) W X H X D	ACTUAL SIZE (INCHES) WXHxD	RATED AIR FLOW (CFM)	INITIAL RESISTANCE (IN W.G.)	CARBON WEIGHT (LBS.)
PCHG	12 X 24 X 12	11-3/8X23-3/8X11-1/2	1000	.50	4
PCHG	24 X 24 X 12	23-3/8X23-3/8X11-1/2	2000	.50	8
PCHFD	12 X 24 X 12	11-3/8X23-3/8X11-1/2	1000	.50	4
PCHFD	24 X 24 X 12	23-3/8X23-3/8X11-1/2	2000	.50	8
PCHA	12 X 24 X 12	11-3/8X23-3/8X11-1/2	1000	.50	4
PCHA	24 X 24 X 12	23-3/8X23-3/8X11-1/2	2000	.50	8
PCHAG	12 X 24 X 12	11-3/8X23-3/8X11-1/2	1000	.50	4
PCHAG	24 X 24 X 12	23-3/8X23-3/8X11-1/2	2000	.50	8



STANDARD CONSTRUCTION

1. Granular Activated Carbon - 90% Activity Carbon Tetrachloride
600 Grams / Square Meter Carbon Media Weight
General Purpose Applications
2. Synthetic Media Laminate on Air-Entering and Air-Leaving Sides
No Carbon Dusting
3. 24 GA Galvanized Steel Construction
4. Single Header Upstream Side
5. Plastic Finger Pleat Separators
6. Foam Melt Pack Sealant

NOTES

1. Rated Velocity - 500 FPM
2. Impregnated Media Options Available
 - G: General Purpose / Acid Gas Applications (Model Example PCHG-4412)
 - FD: Formaldehyde / Multipurpose (Model Example PCHFD-4412)
 - A: Ammonia Applications (Model Example PCHA-4412)
 - AG: Acid Gas Applications (Model Example PCHAG-4412)
3. Optional Gasket Available
 - D: Downstream Side (Model Example PCHG-4412-D)
 - SA: Side Access (Model Example PCHG-4412-SA)

Purolator
P.O. Box 32578
Louisville, KY 40232
P: 866-925-2247
F: 502-961-0930
www.purolatorair.com

**CONTACT FACTORY TO
VERIFY REVISION LEVEL**

**TOLERANCES
UNLESS OTHERWISE SPECIFIED**

FRACTIONAL -
DECIMAL -
ANGLES -

ALL DIMENSIONS IN INCHES

DRAWING NAME PURO CELL W/HEADER			
APPROVED BY <i>K. Quinn</i>	SPECIFICATION NO. MKT-P-00511	PAGE 1 OF 1	
SCALE NONE	DWG. SIZE A	REVISION NEW	REVISION DATE 8/27/2008
<small>CONFIDENTIAL - DO NOT COPY. THIS MATERIAL IS TRADE SECRET AND PROPRIETARY BEING EXCLUSIVELY OWNED BY CLC AIR. THE EXPRESSION OF THE INFORMATION CONTAINED HEREIN IS PROTECTED UNDER FEDERAL COPYRIGHT LAWS AND ALL COPYING IS PROHIBITED AND MAY BE SUBJECT TO CRIMINAL PENALTIES.</small>			