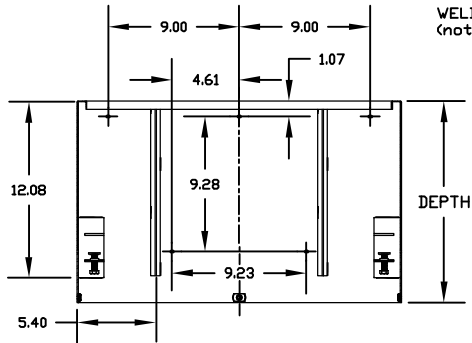
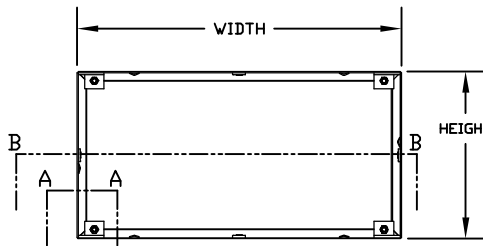


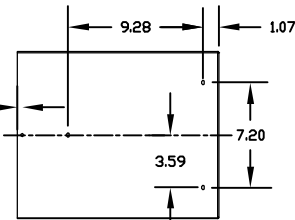
ISOMETRIC VIEW



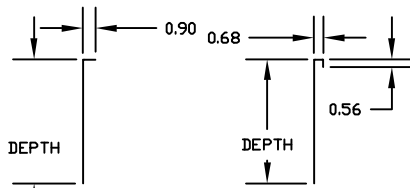
SECTION 'B-B'  
TYP. SLOT LAYOUT FOR  
24 3/4\"/>



FRONT VIEW



SIDE VIEW  
TYP. SLOT LAYOUT FOR  
12 3/4\"/>



SECTION 'A-A'  
GASKET SEAL

SECTION 'A-A'  
FLUID SEAL

MODEL NUMBER	ACTUAL FRAME SIZE HxW (INCHES)	ACTUAL FILTER SIZE HxW (INCHES)	FRAME MATERIAL	SEAL TYPE	ACCOMMODATE PREFILTER	ASSEMBLY NUMBER
PF2FGG-242412	24-3/4 X 24-3/4 X 13-1/2	24 x 24 x 11-1/2	GALVANIZED	GASKET	NO	24-002
PF2FGG-122412	12-3/4 X 24-3/4 X 13-1/2	12 x 24 x 11-1/2	GALVANIZED	GASKET	NO	24-001
PF2FGG-242412-PF	24-3/4 X 24-3/4 X 15-3/8	24 x 24 x 11-1/2	GALVANIZED	GASKET	YES	24-004
PF2FGG-122412-PF	12-3/4 X 24-3/4 X 13-3/8	12 x 24 x 11-1/2	GALVANIZED	GASKET	YES	24-003
PF2FFG-242412	24-3/4 X 24-3/4 X 13-1/2	24 x 24 x 11-1/2	GALVANIZED	FLUID	NO	24-006
PF2FFG-122412	12-3/4 X 24-3/4 X 13-1/2	12 x 24 x 11-1/2	GALVANIZED	FLUID	NO	24-005
PF2FFG-242412-PF	24-3/4 X 24-3/4 X 15-3/8	24 x 24 x 11-1/2	GALVANIZED	FLUID	YES	24-008
PF2FFG-122412-PF	12-3/4 X 24-3/4 X 15-3/8	12 x 24 x 11-1/2	GALVANIZED	FLUID	YES	24-007
PF2FGS-242412	24-3/4 X 24-3/4 X 13-1/2	24 x 24 x 11-1/2	STAINLESS STEEL	GASKET	NO	24-010
PF2FGS-122412	12-3/4 X 24-3/4 X 13-1/2	12 x 24 x 11-1/2	STAINLESS STEEL	GASKET	NO	24-009
PF2FGS-242412-PF	24-3/4 X 24-3/4 X 15-3/8	24 x 24 x 11-1/2	STAINLESS STEEL	GASKET	YES	24-012
PF2FGS-122412-PF	12-3/4 X 24-3/4 X 15-3/8	12 x 24 x 11-1/2	STAINLESS STEEL	GASKET	YES	24-011
PF2FFS-242412	24-3/4 X 24-3/4 X 13-1/2	24 x 24 x 11-1/2	STAINLESS STEEL	FLUID	NO	24-014
PF2FFS-122412	12-3/4 X 24-3/4 X 13-1/2	12 x 24 x 11-1/2	STAINLESS STEEL	FLUID	NO	24-013
PF2FFS-242412-PF	24-3/4 X 24-3/4 X 15-3/8	24 x 24 x 11-1/2	STAINLESS STEEL	FLUID	YES	24-016
PF2FFS-122412-PH	12-3/4 X 24-3/4 X 15-3/8	12 x 24 x 11-1/2	STAINLESS STEEL	FLUID	YES	24-015

NOTES:

1. FRAME MATERIAL 16 GA
2. FRAMES ARE FURNISHED WITH (4) FILTER CLIPS.
3. ALL SLOT LOCATIONS DESIGNED FOR USE WITH 3/16" POP RIVETS. SLOTS ARE PROVIDED IN PANELS TO ALLOW SOME FLEXIBILITY DURING STACKING
4. ALL SLOT DIMENSIONS TO CENTER OF SLOT.
5. PURO FRAME ASHRAE PREFILTER FRAME SOLD SEPARATELY

**Purolator** 100 River Ridge Circle  
Jeffersonville, IN 47130  
P: 866-925-2247  
F: 502-961-0930  
www.purolatorair.com

CONTACT FACTORY TO  
VERIFY REVISION LEVEL

TOLERANCES  
UNLESS OTHERWISE SPECIFIED

FRACTIONAL -  
DECIMAL -  
ANGLES -

ALL DIMENSIONS IN INCHES

DRAWING NAME  
**PURO FRAME II HEPA HOLDING FRAME**

APPROVED BY <i>K. Quinn</i>	SPECIFICATION NO. MKT-P-00592	PAGE 1 OF 1
SCALE NONE	DWG. SIZE A	REVISION NEW
		REVISION DATE 06-22-10

CONFIDENTIAL - DO NOT COPY. THIS MATERIAL IS TRADE SECRET AND PROPRIETARY BEING EXCLUSIVELY OWNED BY CLC AIR. THE EXPRESSION OF THE INFORMATION CONTAINED HEREIN IS PROTECTED UNDER FEDERAL COPYRIGHT LAWS AND ALL COPYING IS PROHIBITED AND MAY BE SUBJECT TO CRIMINAL PENALTIES.