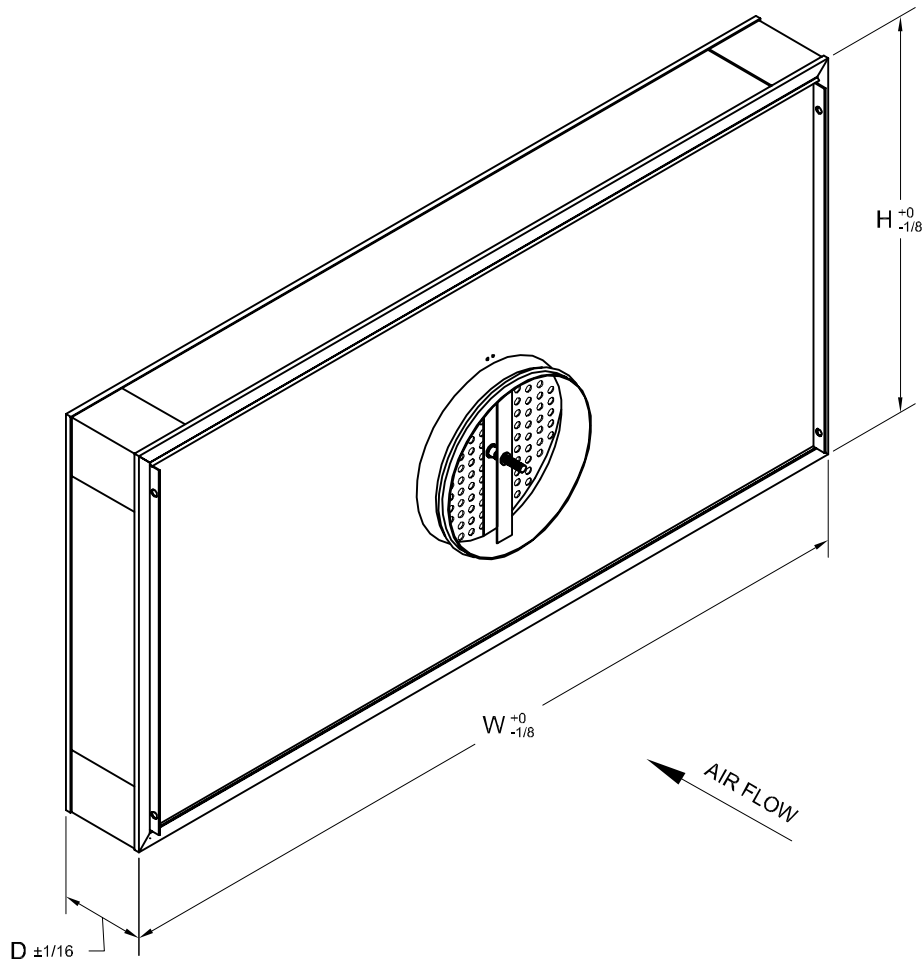


ITEM NUMBER	CONSTRUCTION CODE	NOMINAL SIZE (INCHES) H x W	ACTUAL SIZE (INCHES) H x W x D	INLET COLLAR DIAMETER (INCHES)	EFFICIENCY	INITIAL RESISTANCE (In. W.G.)	RATED AIR FLOW (CFM @ 90 FPM)
5455245371	DM299 23K23K - 10 - 00	24 x 24	23-5/8 x 23-5/8 x 5	10	99.99% @ 0.3 Micron	0.45	290
5455264176	DM299 23K47K - 10 - 00	24 x 48	23-5/8 x 47-5/8 x 5	10	99.99% @ 0.3 Micron	0.45	620
	DM259 23K23K - 10 - 00	24 x 24	23-5/8 x 23-5/8 x 5	10	99.9995% @ 0.12 Micron	0.55	290
	DM259 23K47K - 10 - 00	24 x 48	23-5/8 x 47-5/8 x 5	10	99.9995% @ 0.12 Micron	0.55	620

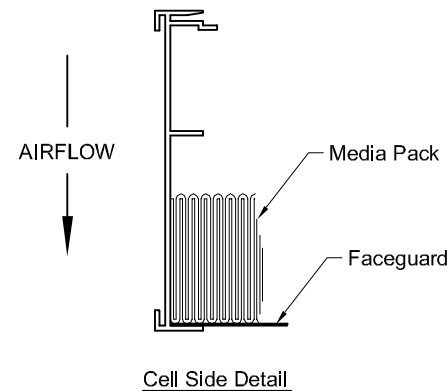


**STANDARD CONSTRUCTION**

1. Frame Material: Anodized Extruded Aluminum
2. Frame Style: Center Post, 1 Port
3. Gasket: None
4. Sealant: Urethane (180 deg. F)
5. Faceguard: White Expanded Metal - Downstream
6. Media Pack: 2" (54mm) Bead Pack (160 deg. F)

**NOTES**

1. Media: Micro-Glass Fiber / Acrylic Resin Binder
2. Rated Velocity: 90 FPM
3. See Drawing MKT-P-00370 for Resistance Curves
4. Recommended Final Resistance: Twice Initial Resistance
5. Class 2 Filter Per U.L. 900
6. Maximum Operating Temperature (160 deg. F)
7. Shipping Weight:  
2 x 2 Module - 20 lb.  
2 x 4 Module - 36 lb.



**Purolator**  
P.O. Box 32578  
Louisville, KY 40232  
P: 866-925-2247  
F: 502-961-0930  
www.purolatorair.com

**CONTACT FACTORY TO VERIFY REVISION LEVEL**

**TOLERANCES UNLESS OTHERWISE SPECIFIED**

FRACTIONAL -  
DECIMAL -  
ANGLES -

**ALL DIMENSIONS IN INCHES**

DRAWING NAME: **MICROPAK Disposable Module**  
**10" Collar - For 1-1/2" T-Bar Grid**

APPROVED BY: *K. Quinn*      SPECIFICATION NO. MKT-P-00126      PAGE 1 OF 1

SCALE: NONE      DWG. SIZE: A      REVISION: NEW      REVISION DATE: 3-1-07

CONFIDENTIAL - DO NOT COPY. THIS MATERIAL IS TRADE SECRET AND PROPRIETARY BEING EXCLUSIVELY OWNED BY CLC AIR. THE EXPRESSION OF THE INFORMATION CONTAINED HEREIN IS PROTECTED UNDER FEDERAL COPYRIGHT LAWS AND ALL COPYING IS PROHIBITED AND MAY BE SUBJECT TO CRIMINAL PENALTIES.