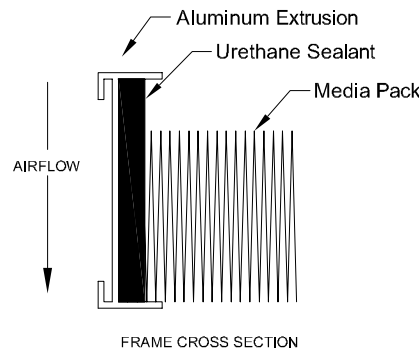
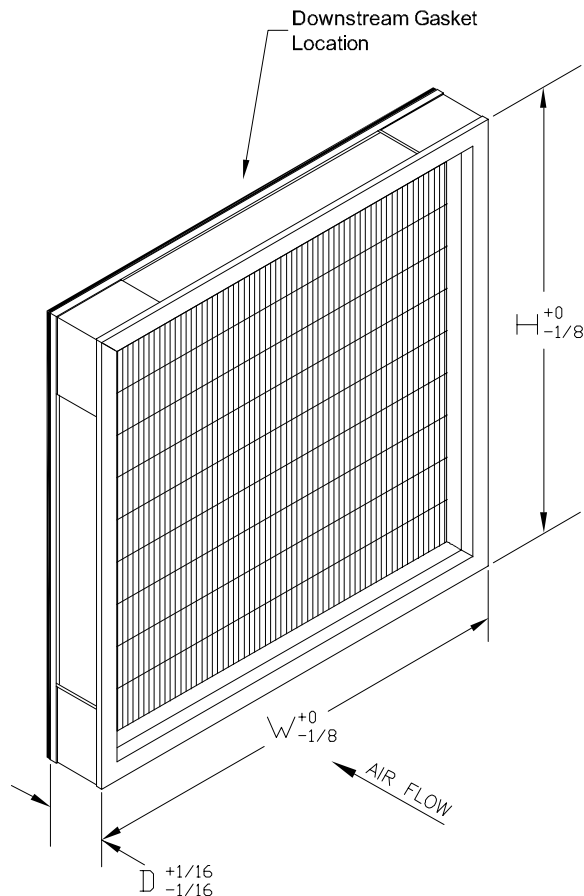


Construction Code	Actual Size (Inches) H x W x D	Rated Air Flow (CFM)	Media Area (Sq. Ft.)
MP2EX99-240240-03-U-GND-00-0-0	24 x 24 x 2-3/4	316	110
MP2EX99-240120-03-U-GND-00-0-0	12 x 24 x 2-3/4	148	52

Construction	Description
Standard and Certification	HEPA-IEST-RP-CC001.3, per MIL-STD 282
Frame Material	Anodized Extruded Aluminum
Frame Style	Four Piece Box
Gasket	Urethane 1/4" x 3/4" (180 deg. F), Dovetail Joints
Gasket Location	Downstream
Sealant	Urethane (180 deg. F)
Hardware	None
Acceptance Level	99.99% on 0.3 Micron Scanned (Leak Tested)
Separators	2" (54 mm) Bead Pack (160 deg. F)



**NOTES**

- Media: Micro-Glass Fiber / Acrylic Resin Binder
- Hot Melt Glue-Bead Separators
- Filter Widths Greater Than 48" Require A Centerpost Centerpost
- Efficiency: 99.99% @ .3 Microns
- Rated Velocity - 90 FPM
- Initial Resistance: 0.45" W.G. @ Rated Flow
- Recommended Final Resistance: 0.90" W.G. @ Rated Flow (Twice Initial Resistance)
- Class 2 Filter Per U.L. Standard 900 Available  
UL Class 1 Available on Request
- Maximum Operating Temperature: 160 deg. F
- Standard Gasket Location Downstream,
- Optional Gasket Locations (Contact Factory)

**Purolator**  
P.O. Box 32578  
Louisville, KY 40232  
P: 866-925-2247  
F: 502-961-0930  
www.purolatorair.com

**CONTACT FACTORY TO  
VERIFY REVISION LEVEL**

**TOLERANCES  
UNLESS OTHERWISE SPECIFIED**

FRACTIONAL	-
DECIMAL	-
ANGLES	-

ALL DIMENSIONS IN INCHES

DRAWING NAME <b>MICROPAK Mini Pleat 99.99%</b>			
APPROVED BY <i>K. Quinn</i>	SPECIFICATION NO. MKT-P-00552	PAGE 1 OF 1	
SCALE NONE	DWG. SIZE A	REVISION NEW	REVISION DATE 6-3-08
<small>CONFIDENTIAL - DO NOT COPY. THIS MATERIAL IS TRADE SECRET AND PROPRIETARY BEING EXCLUSIVELY OWNED BY CLC AIR. THE EXPRESSION OF THE INFORMATION CONTAINED HEREIN IS PROTECTED UNDER FEDERAL COPYRIGHT LAWS AND ALL COPYING IS PROHIBITED AND MAY BE SUBJECT TO CRIMINAL PENALTIES.</small>			