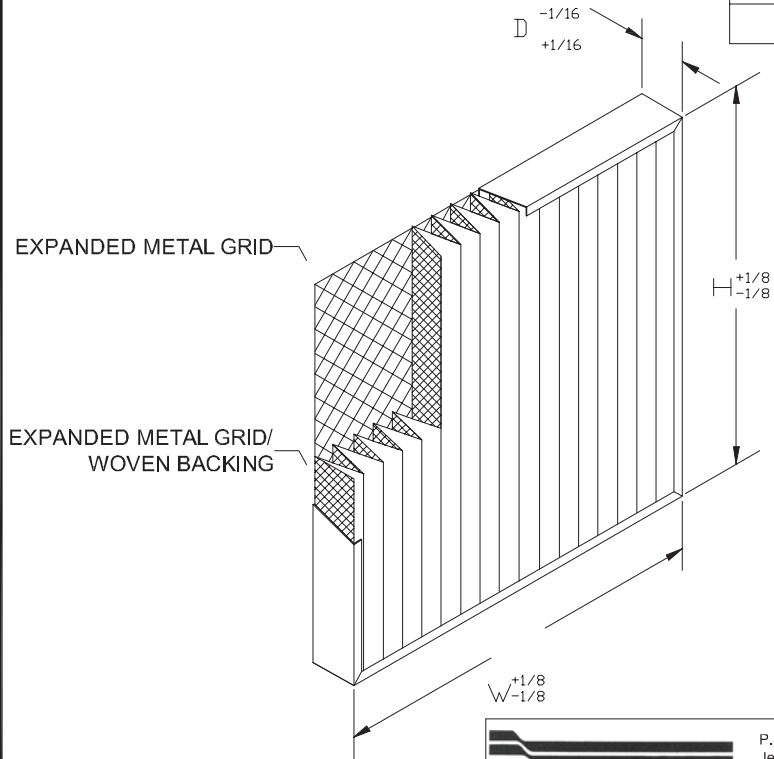


MODEL NUMBER	NOMINAL SIZE	ACTUAL SIZE WXHXD	RATED AIRFLOW (CFM)	INITAL RESISTANCE	MEDIA SQUARE FEET
HE40H	12X24X2	11.375X23.375X1.75	1000	.55	8.0
HE40H	16X20X2	15.5X19.5X1.75	1100	.55	8.8
HE40H	16X25X2	15.5X24.5X1.75	1400	.55	11.0
HE40H	20X20X2	19.5x19.5x1.75	1400	.55	11.0
HE40H	20X25X2	19.5x24.5x1.75	1750	.55	13.6
HE40H	24X24X2	23.375x23.375x1.75	2000	.55	14.7
HE40H	12X24X4	11.375x23.375x3.75	1250	.45	12.4
HE40H	16X20X4	15.375x19.375x3.75	1400	.45	14.6
HE40H	16X25X4	15.375x24.375x3.75	1750	.45	18.3
HE40H	20X20X4	19.375x19.375x3.75	1750	.45	18.8
HE40H	20X25X4	19.375x24.375x3.75	2170	.45	23.5
HE40H	24X24X4	23.375x23.375x3.75	2500	.45	26.1



STANDARD CONSTRUCTION

1. High density ultra-fine fiberglass reinforced by woven fiberglass mesh.
2. Expanded Metal Pleat Supports
3. Expanded Metal Pack Support
4. 24 GA Aluminized Steel Frame
5. High Temperature Glass Rope Gasket Available

NOTES

1. MERV 8 per ASHRAE 52.2-2007
Testing Performed at 492 FPM for 24x24x2 and 24x24x4 Nominal Size Filters
2. Final Resistance: 1.0" W.G.
3. Rated Velocity 2" Deep - 500 FPM
Rated Velocity 4" Deep - 500 FPM
4. Class 1 Filter Per U.L. Standard 900
5. Maximum Operating Temperature: 500 deg. F

Purolator
P.O. Box 9
Jeffersonville, IN 47131-0009
P: 866-925-2247
F: 502-961-0930
www.purolatorair.com

CONTACT FACTORY TO VERIFY REVISION LEVEL

TOLERANCES UNLESS OTHERWISE SPECIFIED

- FRACTIONAL -
- DECIMAL -
- ANGLES -

ALL DIMENSIONS IN INCHES

DRAWING NAME HI-E 40 H HIGH TEMP PLEAT			
APPROVED BY <i>K. Quinn</i>	SPECIFICATION NO. MKT-P-00133	PAGE 1 OF 1	
SCALE NONE	DWG. SIZE A	REVISION B	REVISION DATE 10-15-2010
<small>CONFIDENTIAL - DO NOT COPY. THIS MATERIAL IS TRADE SECRET AND PROPRIETARY BEING EXCLUSIVELY OWNED BY CLC AIR. THE EXPRESSION OF THE INFORMATION CONTAINED HEREIN IS PROTECTED UNDER FEDERAL COPYRIGHT LAWS AND ALL COPYING IS PROHIBITED AND MAY BE SUBJECT TO CRIMINAL PENALTIES.</small>			