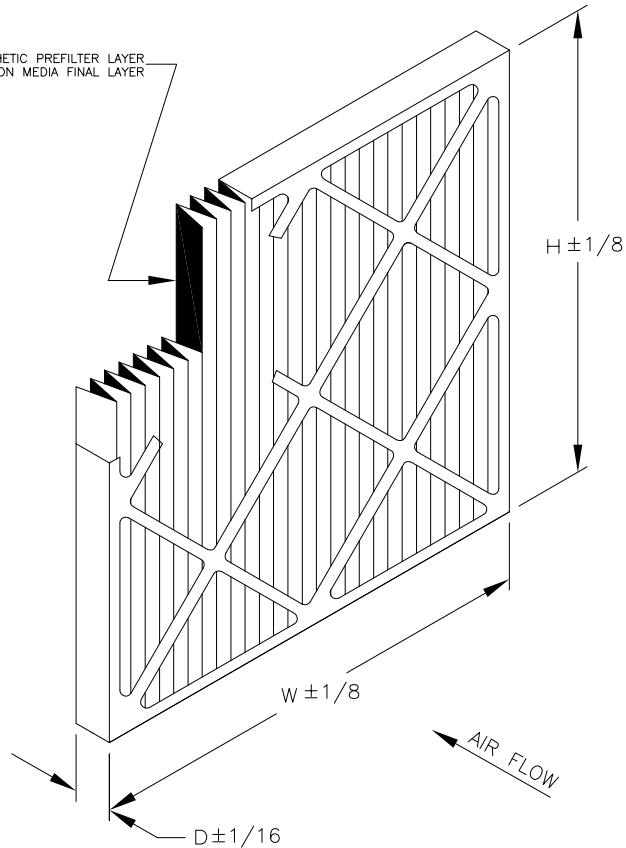


100% SYNTHETIC PREFILTER LAYER  
SELF-SUPPORTED CARBON MEDIA FINAL LAYER



MODEL NUMBER	NOMINAL SIZE W X H X D	ACTUAL SIZE W X H X D	AIR FLOW RATE CFM	INITIAL RESISTANCE IN. W.C.	MEDIA AREA SQ. FT.	CARBON WEIGHT GRAM
HE40CB	12 X 24 X 1	11-3/8 X 23-3/8 X 3/4	600	.40	2.8	52
HE40CB	16 X 20 X 1	15-1/2 X 19-1/2 X 3/4	665	.40	3.2	59
HE40CB	16 X 25 X 1	15-1/2 X 24-1/2 X 3/4	850	.40	4.1	76
HE40CB	18 X 24 X 1	17-3/8 X 23-3/8 X 3/4	900	.40	4.4	82
HE40CB	20 X 20 X 1	19-1/2 X 19-1/2 X 3/4	850	.40	4.2	78
HE40CB	20 X 25 X 1	19-1/2 X 24-1/2 X 3/4	1050	.40	5.2	97
HE40CB	24 X 24 X 1	23-3/8 X 23-3/8 X 3/4	1200	.40	6.1	113
HE40CB	12 X 24 X 2	11-3/8 X 23-3/8 X 1-3/4	1000	.55	5.6	104
HE40CB	16 X 20 X 2	15-1/2 X 19-1/2 X 1-3/4	1100	.55	6.7	124
HE40CB	16 X 25 X 2	15-1/2 X 24-1/2 X 1-3/4	1400	.55	8.4	157
HE40CB	18 X 24 X 2	17-3/8 X 23-3/8 X 1-3/4	1500	.55	8.7	162
HE40CB	20 X 20 X 2	19-1/2 X 19-1/2 X 1-3/4	1400	.55	8.3	153
HE40CB	20 X 25 X 2	19-1/2 X 24-1/2 X 1-3/4	1750	.55	10.4	193
HE40CB	24 X 24 X 2	23-3/8 X 23-3/8 X 1-3/4	2000	.55	11.8	219
HE40CB	12 X 24 X 4	11-3/8 X 23-3/8 X 3-3/4	1250	.51	11.5	214
HE40CB	16 X 20 X 4	15-1/2 X 19-1/2 X 3-3/4	1400	.51	13.8	256
HE40CB	16 X 25 X 4	15-1/2 X 24-1/2 X 3-3/4	1750	.51	17.4	323
HE40CB	18 X 24 X 4	17-3/8 X 23-3/8 X 3-3/4	1875	.51	17.9	333
HE40CB	20 X 20 X 4	19-1/2 X 19-1/2 X 3-3/4	1750	.51	17.0	316
HE40CB	20 X 25 X 4	19-1/2 X 24-1/2 X 3-3/4	2170	.51	21.4	398
HE40CB	24 X 24 X 4	23-3/8 X 23-3/8 X 3-3/4	2500	.51	25.6	476

**STANDARD CONSTRUCTION**

1. White, 100% Synthetic High Loft Media  
Self Supporting Activated Carbon Media  
60% Activity, 200 grams / square meter
2. Pleat Count:  
1" - 11 Pleats/Foot  
2" & 4" - 10 Pleats/Foot
3. Moisture Resistant Beverage Board Frame
4. Double Wall Frame
5. (2) Rows of Fingers on Air Entering Side (4" Only)

**NOTES**

1. MERV 8 ASHRAE 52.2-1992
2. Final Resistance: 1" W.G.



P.O. Box 32578  
Louisville, KY 40232  
P: 866-925-2247  
F: 502-961-0930  
www.purolatorair.com

CONTACT FACTORY TO  
VERIFY REVISION LEVEL

**TOLERANCES  
UNLESS OTHERWISE SPECIFIED**

FRACTIONAL -  
DECIMAL -  
ANGLES -

ALL DIMENSIONS IN INCHES

DRAWING NAME

HI-E 40 CB PLEAT ( 1" 2" & 4" )

APPROVED BY

*K. Quinn*

SPECIFICATION NO.

MKT-P-00276

PAGE

1 OF 1

SCALE

NONE

DWG. SIZE

A

REVISION

A

REVISION DATE

06-09-08

CONFIDENTIAL - DO NOT COPY. THIS MATERIAL IS TRADE SECRET AND PROPRIETARY BEING EXCLUSIVELY OWNED BY CLC AIR. THE EXPRESSION OF THE INFORMATION CONTAINED HEREIN IS PROTECTED UNDER FEDERAL COPYRIGHT LAWS AND ALL COPYING IS PROHIBITED AND MAY BE SUBJECT TO CRIMINAL PENALTIES.