

MODEL NUMBER	NOMINAL SIZE INCHES W X H X L	ACTUAL SIZE INCHES W X H X L	RATED AIR FLOW CFM	INITIAL RESISTANCE IN. W.C	MEDIA AREA SQ FT.
HE40	10 X 10 X 1	9-1/2 X 9-1/2 X 3/4	210	.27	1.4
HE40	10 X 15 X 1	9-3/4 X 14-3/4 X 3/4	310	.27	2.4
HE40	10 X 20 X 1	9-1/2 X 19-1/2 X 3/4	415	.27	2.4
HE40	10 X 24 X 1	9-3/8 X 23-3/8 X 3/4	500	.27	2.8
HE40	12 X 12 X 1	11-3/4 X 11-3/4 X 3/4	300	.27	2.9
HE40	12 X 16 X 1	11-1/2 X 15-3/4 X 3/4	400	.27	2.9
HE40	12 X 20 X 1	11-1/2 X 19-1/2 X 3/4	500	.27	2.9
HE40	12 X 24 X 1	11-3/8 X 23-3/8 X 3/4	600	.27	3.4
HE40	14 X 14 X 1	13-3/4 X 13-3/4 X 3/4	410	.27	3.4
HE40	14 X 20 X 1	13-1/2 X 19-1/2 X 3/4	585	.27	3.4
HE40	14 X 24 X 1	13-3/8 X 23-3/8 X 3/4	700	.27	4.0
HE40	14 X 25 X 1	13-1/2 X 24-1/2 X 3/4	730	.27	4.2
HE40	14 X 30 X 1	13-3/4 X 29-3/4 X 3/4	875	.27	7.1
HE40	15 X 20 X 1	14-1/2 X 19-1/2 X 3/4	625	.27	3.6
HE40	15 X 30 X 1	14-3/4 X 29-3/4 X 3/4	935	.27	7.2
HE40	16 X 16 X 1	15-1/2 X 15-1/2 X 3/4	530	.27	3.8
HE40	16 X 20 X 1	15-1/2 X 19-1/2 X 3/4	665	.27	3.8
HE40	16 X 24 X 1	15-3/8 X 23-3/8 X 3/4	800	.27	4.6
HE40	16 X 25 X 1	15-1/2 X 24-1/2 X 3/4	835	.27	4.8
HE40	16 X 30 X 1	15-3/4 X 29-3/4 X 3/4	1000	.27	7.2
HE40	18 X 18 X 1	17-3/4 X 17-3/4 X 3/4	675	.27	4.1
HE40	18 X 20 X 1	17-3/8 X 19-1/2 X 3/4	750	.27	4.1
HE40	18 X 22 X 1	17-3/8 X 21-1/2 X 3/4	825	.27	4.8
HE40	18 X 24 X 1	17-3/8 X 23-3/8 X 3/4	900	.27	4.8
HE40	18 X 25 X 1	17-1/2 X 24-1/2 X 3/4	935	.27	5.4
HE40	20 X 20 X 1	19-1/2 X 19-1/2 X 3/4	830	.27	4.8
HE40	20 X 22 X 1	19-3/4 X 21-3/4 X 3/4	915	.27	5.7
HE40	20 X 24 X 1	19-3/8 X 23-3/8 X 3/4	1000	.27	5.7
HE40	20 X 25 X 1	19-1/2 X 24-1/2 X 3/4	1040	.27	6.0
HE40	20 X 30 X 1	19-1/2 X 29-1/2 X 3/4	1250	.27	7.2
HE40	22 X 22 X 1	21-3/4 X 21-3/4 X 3/4	1005	.27	6.0
HE40	24 X 24 X 1	23-3/8 X 23-3/8 X 3/4	1200	.27	6.6
HE40	24 X 30 X 1	23-3/4 X 29-3/4 X 3/4	1500	.27	8.5
HE40	25 X 25 X 1	24-1/2 X 24-1/2 X 3/4	1300	.27	7.5

- STANDARD CONSTRUCTION
- 100% SYNTHETIC WHITE UN-DYED MEDIA
 - 12 PLEATS PER FOOT
 - EXPANDED METAL PLEAT SUPPORTS
 - MOISTURE RESISTANT BEVERAGE BOARD FRAME.
 - DOUBLE WALL FRAME.

- NOTES:
- MERV 8 PER ASHRAE 52.2-2007
MERV 8-A Per ASHRAE 52.2-2007 Appendix J.
PERFORMANCE DATA AT 295 FPM ON 24X24X1 FACE SIZE
 - FINAL RESISTANCE: 1.0" W.G.
 - RATED VELOCITY: 300 FPM
 - CLASS 2 FILTER PER U.L. STANDARDS 900
 - MAXIMUM OPERATING TEMPERATURE: 225 DEG F.

Purolator
 100 River Ridge Circle
 Jeffersonville, IN 47130
 P: 866-925-2247
 F: 502-961-0930
 www.purolatorair.com

CONTACT FACTORY TO
 VERIFY REVISION LEVEL

TOLERANCES
 UNLESS OTHERWISE SPECIFIED

FRACTIONAL -
 DECIMAL -
 ANGLES -

ALL DIMENSIONS IN INCHES

DRAWING NAME

HI-E 40 PLEATED (1" DEPTH)

APPROVED BY

K. Quinn

SPECIFICATION NO.

MKT-P-00548

PAGE

1 OF 1

SCALE

NONE

DWG. SIZE

A

REVISION

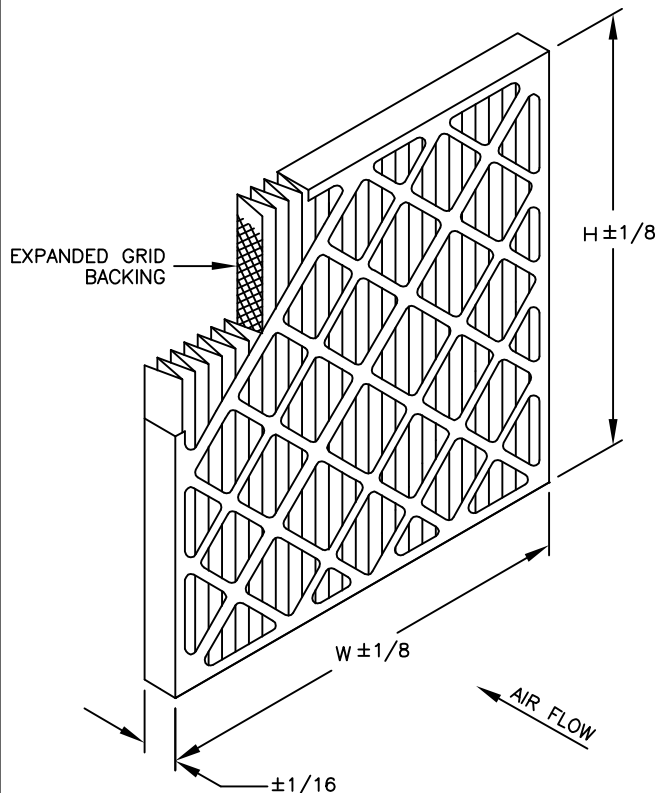
C

REVISION DATE

02-08-10

CONFIDENTIAL - DO NOT COPY. THIS MATERIAL IS TRADE SECRET AND PROPRIETARY BEING EXCLUSIVELY OWNED BY CLC AIR. THE EXPRESSION OF THE INFORMATION CONTAINED HEREIN IS PROTECTED UNDER FEDERAL COPYRIGHT LAWS AND ALL COPYING IS PROHIBITED AND MAY BE SUBJECT TO CRIMINAL PENALTIES.

MODEL NUMBER	NOMINAL SIZE IN. W X H X D	ACTUAL SIZE IN. W X H X D	RATED AIR FLOW CFM	INITIAL RESISTANCE IN. W.G.	MEDIA AREA SQ.FT.
HE40-STD2	10 X 20 X 2	9-1/2 X 19-1/2 X 1-3/4	695	.29	4.7
HE40-STD2	12 X 12 X 2	11-3/4 X 11-3/4 X 1-3/4	500	.29	5.2
HE40-STD2	12 X 20 X 2	11-1/2 X 19-1/2 X 1-3/4	830	.29	5.2
HE40-STD2	12 X 24 X 2	11-3/8 X 23-3/8 X 1-3/4	1000	.29	6.2
HE40-STD2	14 X 20 X 2	13-1/2 X 19-1/2 X 1-3/4	970	.29	5.7
HE40-STD2	14 X 25 X 2	13-1/2 X 24-1/2 X 1-3/4	1215	.29	7.1
HE40-STD2	15 X 20 X 2	14-1/2 X 19-1/2 X 1-3/4	1040	.29	6.3
HE40-STD2	16 X 16 X 2	15-3/4 X 15-3/4 X 1-3/4	890	.29	6.7
HE40-STD2	16 X 20 X 2	15-1/2 X 19-1/2 X 1-3/4	1110	.29	6.7
HE40-STD2	16 X 24 X 2	15-3/8 X 23-3/8 X 1-3/4	1330	.29	8.0
HE40-STD2	16 X 25 X 2	15-1/2 X 24-1/2 X 1-3/4	1390	.29	8.0
HE40-STD2	18 X 18 X 2	17-3/4 X 17-3/4 X 1-3/4	1125	.29	7.8
HE40-STD2	18 X 20 X 2	17-1/2 X 19-1/2 X 1-3/4	1250	.29	7.8
HE40-STD2	18 X 22 X 2	17-1/2 X 21-1/2 X 1-3/4	1375	.29	9.3
HE40-STD2	18 X 24 X 2	17-3/8 X 23-3/8 X 1-3/4	1500	.29	9.3
HE40-STD2	18 X 25 X 2	17-1/2 X 24-1/2 X 1-3/4	1560	.29	9.7
HE40-STD2	20 X 20 X 2	19-1/2 X 19-1/2 X 1-3/4	1390	.29	8.3
HE40-STD2	20 X 24 X 2	19-3/8 X 23-3/8 X 1-3/4	1665	.29	9.9
HE40-STD2	20 X 25 X 2	19-1/2 X 24-1/2 X 1-3/4	1735	.29	10.3
HE40-STD2	20 X 30 X 2	19-1/2 X 29-1/2 X 1-3/4	2080	.29	13.0
HE40-STD2	24 X 24 X 2	23-3/8 X 23-3/8 X 1-3/4	2000	.29	11.7
HE40-STD2	25 X 25 X 2	24-1/2 X 24-1/2 X 1-3/4	2170	.29	13.6



STANDARD CONSTRUCTION

1. 100% Synthetic White Un-Dyed Media
2. 10.0 Pleats Per Foot
3. Expanded Metal Pleat Supports
4. Moisture Resistant Beverage Board Frame
5. Double Wall Frame

NOTES

1. MERV 8 per ASHRAE 52.2-2007
MERV 8-A Per ASHRAE 52.2-2007 Appendix J.
Performance Data at 492 FPM on 24x24x2 Face Size
2. Final Resistance: 1.0" W.G.
3. Rated Velocity: 500 FPM
4. Class 2 Filter Per U.L. Standard 900
5. Maximum Operating Temperature: 225 DEG. F

Purolator
 100 River Ridge Circle
 Jeffersonville, IN 47130
 P: 866-925-2247
 F: 502-961-0930
 www.purolatorair.com

CONTACT FACTORY TO
 VERIFY REVISION LEVEL

**TOLERANCES
 UNLESS OTHERWISE SPECIFIED**

- FRACTIONAL -
 DECIMAL -
 ANGLES -

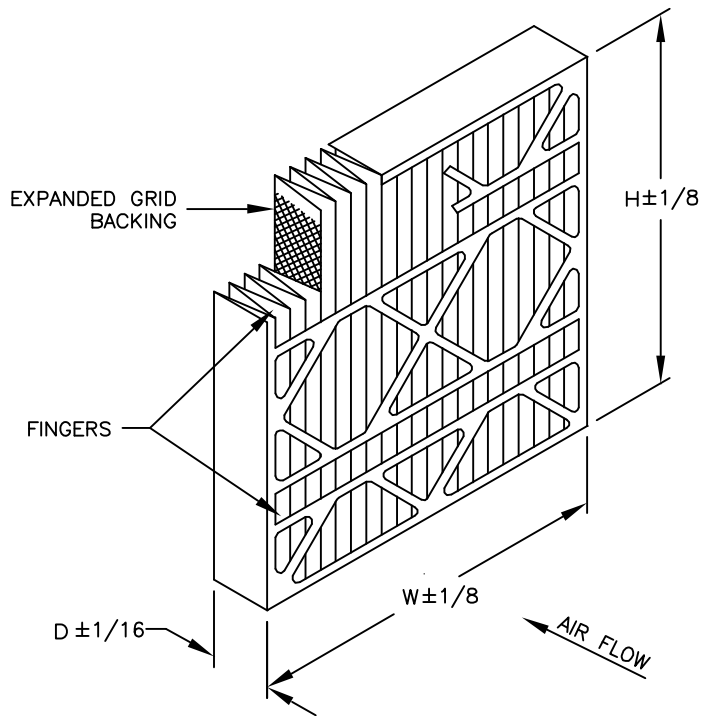
ALL DIMENSIONS IN INCHES

DRAWING NAME

HI-E 40 PLEAT (2" DEPTH)

APPROVED BY <i>K. Quinn</i>	SPECIFICATION NO. MKT-P-00549	PAGE 1 OF 1
SCALE NONE	DWG. SIZE A	REVISION B
		REVISION DATE 02-08-10

CONFIDENTIAL - DO NOT COPY. THIS MATERIAL IS TRADE SECRET AND PROPRIETARY BEING EXCLUSIVELY OWNED BY CLC AIR. THE EXPRESSION OF THE INFORMATION CONTAINED HEREIN IS PROTECTED UNDER FEDERAL COPYRIGHT LAWS AND ALL COPYING IS PROHIBITED AND MAY BE SUBJECT TO CRIMINAL PENALTIES.



MODEL NUMBER	NOMINAL SIZE IN. W X H X D	ACTUAL SIZE IN. W X H X D	RATED AIR FLOW CFM	INITIAL RESISTANCE IN. W.G.	MEDIA AREA SQ. FT.
HE40	12 X 24 X 4	11-3/8 X 23-3/8 X 3-3/4	1000	.20	11.2
HE40	16 X 20 X 4	15-1/2 X 19-1/2 X 3-3/4	1100	.20	14.8
HE40	16 X 25 X 4	15-1/2 X 24-1/2 X 3-3/4	1390	.20	12.5
HE40	18 X 24 X 4	17-3/8 X 23-3/8 X 3-3/4	1500	.20	16.2
HE40	20 X 20 X 4	19-1/2 X 19-1/2 X 3-3/4	1390	.20	15.7
HE40	20 X 24 X 4	19-3/8 X 23-3/8 X 3-3/4	1665	.20	18.7
HE40	20 X 25 X 4	19-1/2 X 24-1/2 X 3-3/4	1735	.20	19.6
HE40	24 X 24 X 4	23-3/8 X 23-3/8 X 3-3/4	2000	.20	22.4
HE40	25 X 29 X 4	24-1/2 X 28-1/2 X 3-3/4	2500	.20	26.1
HE40	28 X 30 X 4	27-1/2 X 29-1/2 X 3-3/4	2900	.20	31.1

STANDARD CONSTRUCTION

1. 100% Synthetic White Un-Dyed Media
2. 9 Pleats Per Foot
3. Expanded Metal Pleat Supports
4. Moisture Resistant Beverage Board Frame
5. Double Wall Frame
6. (2) Rows of Fingers on Air Entering Side

NOTES

1. MERV 8 Per ASHRAE 52.2-2007
MERV 8-A Per ASHRAE 52.2-2007 Appendix J.
Performance Data at 492 FPM on 24x24x4
2. Final Resistance: 1.0" W.G.
3. Rated Velocity: 500 FPM
4. Class 2 Filter Per U.L. Standard 900
5. Maximum Operating Temperature: 225 Deg. F

Purolator
 100 River Ridge Circle
 Jeffersonville, IN 47130
 P: 866-925-2247
 F: 502-961-0930
 www.purolatorair.com

CONTACT FACTORY TO
 VERIFY REVISION LEVEL

**TOLERANCES
 UNLESS OTHERWISE SPECIFIED**

FRACTIONAL -
 DECIMAL -
 ANGLES -

ALL DIMENSIONS IN INCHES

DRAWING NAME HI-E 40 PLEAT (4" DEPTH)			
APPROVED BY <i>K. Quinn</i>	SPECIFICATION NO. MKT-P-00554	PAGE 1 OF 1	
SCALE NONE	DWG. SIZE A	REVISION C	REVISION DATE 02/08/10
<small>CONFIDENTIAL - DO NOT COPY. THIS MATERIAL IS TRADE SECRET AND PROPRIETARY BEING EXCLUSIVELY OWNED BY CLC AIR. THE EXPRESSION OF THE INFORMATION CONTAINED HEREIN IS PROTECTED UNDER FEDERAL COPYRIGHT LAWS AND ALL COPYING IS PROHIBITED AND MAY BE SUBJECT TO CRIMINAL PENALTIES.</small>			