

D
Style
D= DEPIANT

Efficiency:
70% = 70
85% = 85
95% = 95

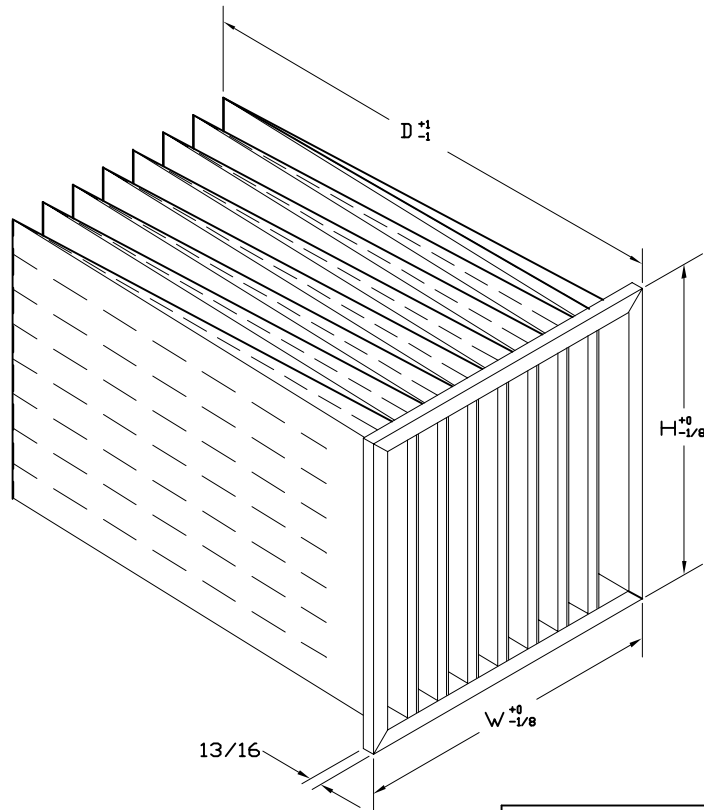
Of Pockets
See Chart

Header:
Standard = Blank
Cambridge = C
1" Exact Header = E

Type:
Standard = Blank
Gasketing locations =
With Loops = L

X X
Size (WxHxD)
Example 24x24x30

U = Upstream
D = Downstream
UD = Both Sides
SA = Side Access
P = Perimeter



SIZE W X H # OF POCKETS		
24 X 24	23-5/16 x 23-5/16	05 - 12
12 X 24	11-5/16 x 23-5/16	03 - 05
24 X 12	23-5/16 x 11-5/16	05 - 12
20 X 24	19-5/16 x 23-5/16	04 - 09
24 X 20	23-5/16 x 19-5/16	05 - 12
20 X 20	19-5/16 x 19-5/16	04 - 09
16 X 20	15-5/16 x 19-5/16	03 - 07
20 X 16	19-5/16 x 15-5/16	04 - 09
16 X 25	15-5/16 x 24-5/16	03 - 07
25 X 16	24-5/16 x 15-5/16	05 - 12
20 X 25	19-5/16 x 24-5/16	04 - 09
25 X 20	24-5/16 x 19-5/16	05 - 12

EXAMPLE MODEL: D9508 24X24X30

STANDARD CONSTRUCTION

1. Continuous synthetic & hydrophobic fiber
2. Pockets are multi-row stitched
3. Self supporting holding pockets
4. Galvanized Steel Header
5. Galvanized Steel Pocket Retainers

NOTES

1. Three Efficiencies Available
90-95% ASHRAE 52.1-1992, MERV 15 ASHRAE 52.2-1999
80-85% ASHRAE 52.1-1992, MERV 15 ASHRAE 52.2-1999
70-75% ASHRAE 52.1-1992, MERV 12 ASHRAE 52.2-1999
2. Final Resistance: 1" W.G.
3. Rated Velocity: 500 FPM
4. Maximum Operating Temperature: 200 deg. F
5. Class 2 filter per U.L. Standard 900



P.O. Box 32578
Louisville, KY 40232
P: 866-925-2247
F: 502-961-0930
www.purolatorair.com

CONTACT FACTORY TO
VERIFY REVISION LEVEL

**TOLERANCES
UNLESS OTHERWISE SPECIFIED**

FRACTIONAL -
DECIMAL -
ANGLES -

ALL DIMENSIONS IN INCHES

DRAWING NAME DEFIANT BAG			
APPROVED BY <i>K. Quinn</i>	SPECIFICATION NO. MKT-P-00315 PG1	PAGE 1 OF 2	
SCALE NONE	DWG. SIZE A	REVISION A	REVISION DATE 05-19-08

CONFIDENTIAL - DO NOT COPY. THIS MATERIAL IS TRADE SECRET AND PROPRIETARY BEING EXCLUSIVELY OWNED BY CLC AIR. THE EXPRESSION OF THE INFORMATION CONTAINED HEREIN IS PROTECTED UNDER FEDERAL COPYRIGHT LAWS AND ALL COPYING IS PROHIBITED AND MAY BE SUBJECT TO CRIMINAL PENALTIES.