



CLARCOR Air Filtration Products
 100 River Ridge Circle
 Jeffersonville IN, 47130
 Customer Care Team 1-866-925-2247
 Fax 1-800-784-3458

V-BANK ASHRAE FILTER HOUSING (VBA)

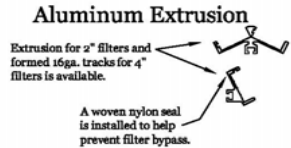
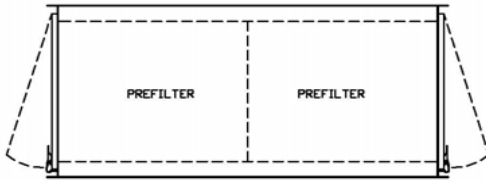
DATE _____

APPROVED APPROVED AS NOTED

SIGNATURE _____

MODEL NUMBER V B A B - 1 X 1 - CB

SIZE CODES		1	1-1/2	2	2-1/2	3	3-1/2	4	4-1/2	5	5-1/2	6
Width "W"		26-1/8	37-1/2	49-1/2	60-7/8	72-7/8	84-1/4	96-1/4	108	120	131-3/8	143-3/8
Height "H"		14-7/8"	26-7/8"	39"	51"	63-1/8"	75-1/8"	87-1/4"	99-1/4"			



PREFILTER DEPTH (SELECT ONE)
 A = 2" Prefilter
 B = 4" Prefilter

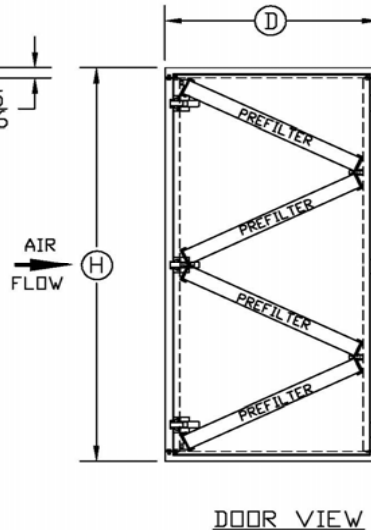
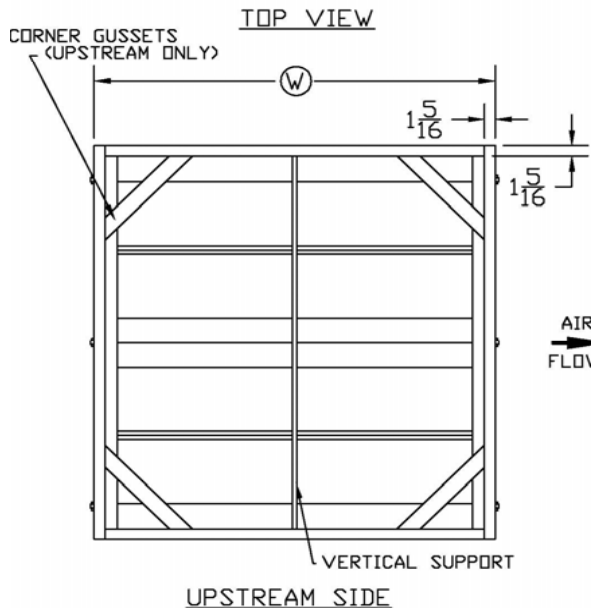
HOUSING DEPTH
 27-3/8 Depth (D)

DIMENSIONS HxW (SELECT ONE)

 H = Height (Inches)

 W = Width (Inches)

MATERIALS (SELECT ONE)
 CA = 16 GA Galvanized Steel
 CB = 16 GA 304 Stainless Steel



- FACTORY OPTIONS**
- WC = Weathercap
 - DW = Double Wall Insulation (Includes Weathercap)
 - LL = Lifting Lugs, (4) Lugs Total
 - DF = Drilled Flanges Single or Double
 - BA = Bottom Access
 - VF = Vertical Flow
 - SP = Static Pressure Ports, (1) Pair
 - SG = Static Pressure Gauge Not Installed (1 Gauge)
 - SI = Static Pressure Gauge Installed (1 Gauge/Pair of Ports)
 - T = Transition
 - O = Other (Specify on Submittal or Attachment)

- SPECIFICATIONS**
1. 16 GA Material Construction.
 2. Extruded Aluminum Filter Tracks with Woven Nylon Pile Seal.
 3. Doors Sealed with Closed Cell Neoprene Gasket.
 4. Two Pound Density Urethane Foam Inside Access Doors Gaskets Filters.
 5. Metal to Metal Components Sealed with Silicone Compound.
 6. Doors Fitted with Quick Action, Positive Pressure Trip Lock Latches.
 7. Doors on Both Sides.
 8. Maximum Static Pressure 4.0" W.G. Postive or Negative

FULL SIZE FILTERS _____
 # HALF SIZE FILTERS _____
 RATED AIR FLOW (CFM) _____ @ 500 FPM