



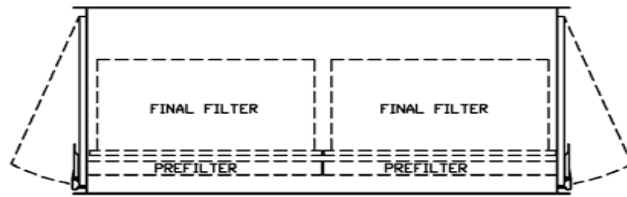
CLARCOR Air Filtration Products  
 100 River Ridge Circle  
 Jeffersontown IN 47130  
 Customer Care Team 1-866-925-2247  
 Fax 1-800-784-3458

**ASHRAE SIDE ACCESS FILTER HOUSING (ASA)**

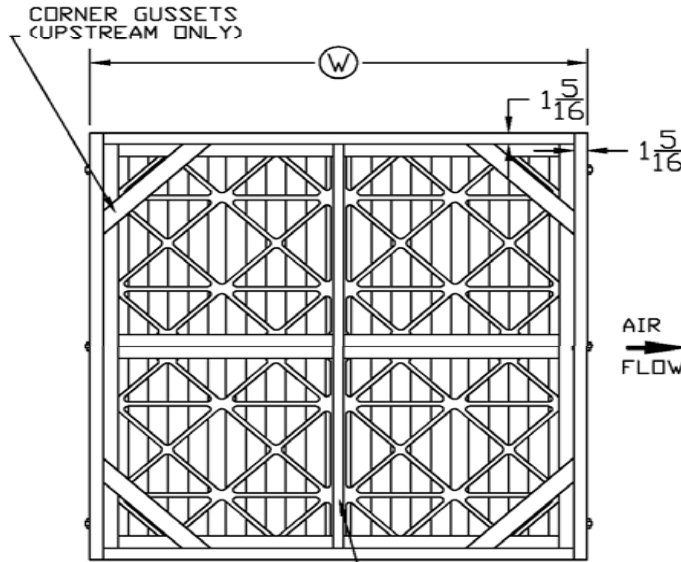
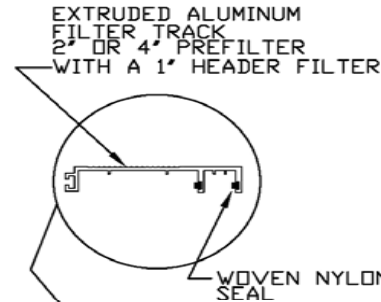
DATE \_\_\_\_\_  
 APPROVED  APPROVED AS NOTED   
 SIGNATURE \_\_\_\_\_

MODEL NUMBER **A S A A 2 - 1 X 1 - CA**

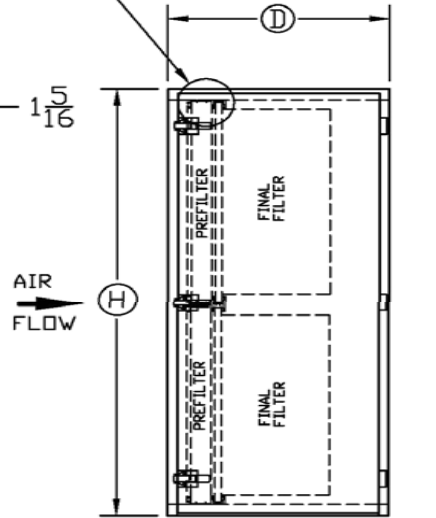
		SIZE CODES										
Width "W"		1	1-1/2	2	2-1/2	3	3-1/2	4	4-1/2	5	5-1/2	6
Height "H"		26-1/8	37-1/2	49-1/2	60-7/8	72-7/8	84-1/4	96-1/4	108	120	131-3/8	143-3/8
1/2	14-7/8"											
1	26-7/8"											
1-1/2	39"											
2	51"											
2-1/2	63-1/8"											
3	75-1/8"											
3-1/2	87-1/4"											
4	99-1/4"											



TOP VIEW



UPSTREAM VIEW



DOOR VIEW

PREFILTER DEPTH (SELECT ONE)  
 A = 2" Prefilter w/ 1" Final Filter Track  
 B = 4" Prefilter w/ 1" Final Filter Track

HOUSING DEPTH (SELECT ONE)  
 2 = 22-1/4" Depth (D)  
 3 = 34-1/4" Depth (D)  
 4 = 42" Depth (D)

DIMENSIONS HxW (SELECT ONE)  
 1 X 1  
 26-7/8 H = Height (Inches)  
 26-1/8 W = Width (Inches)

MATERIALS (SELECT ONE)  
 CA = 16 GA Galvanized Steel  
 CB = 16 GA 304 Stainless Steel

FACTORY OPTIONS  
 WC = Weathercap

- 
- 
- 
- 
- 
- 
- 
- 
- 
- 

<Special Notes>  
 \_\_\_\_\_  
 \_\_\_\_\_  
 \_\_\_\_\_

SPECIFICATIONS

- 16 GA Material Construction.
- Extruded Aluminum Filter Tracks with Woven Nylon Pile Seal.
- Doors Sealed with Closed Cell Neoprene Gasket.
- Polyurethane Foam Inside Access Doors Gaskets Filters.
- Metal to Metal Components Sealed with Silicone Compound.
- Doors Fitted with Quick Action, Positive Pressure Trip Lock Latches.
- Doors on Both Sides.
- Units Over 4 Wide are Produced by Combining Smaller Units Together.
- Maximum Static Pressure 4.0" W.G. Positive or Negative